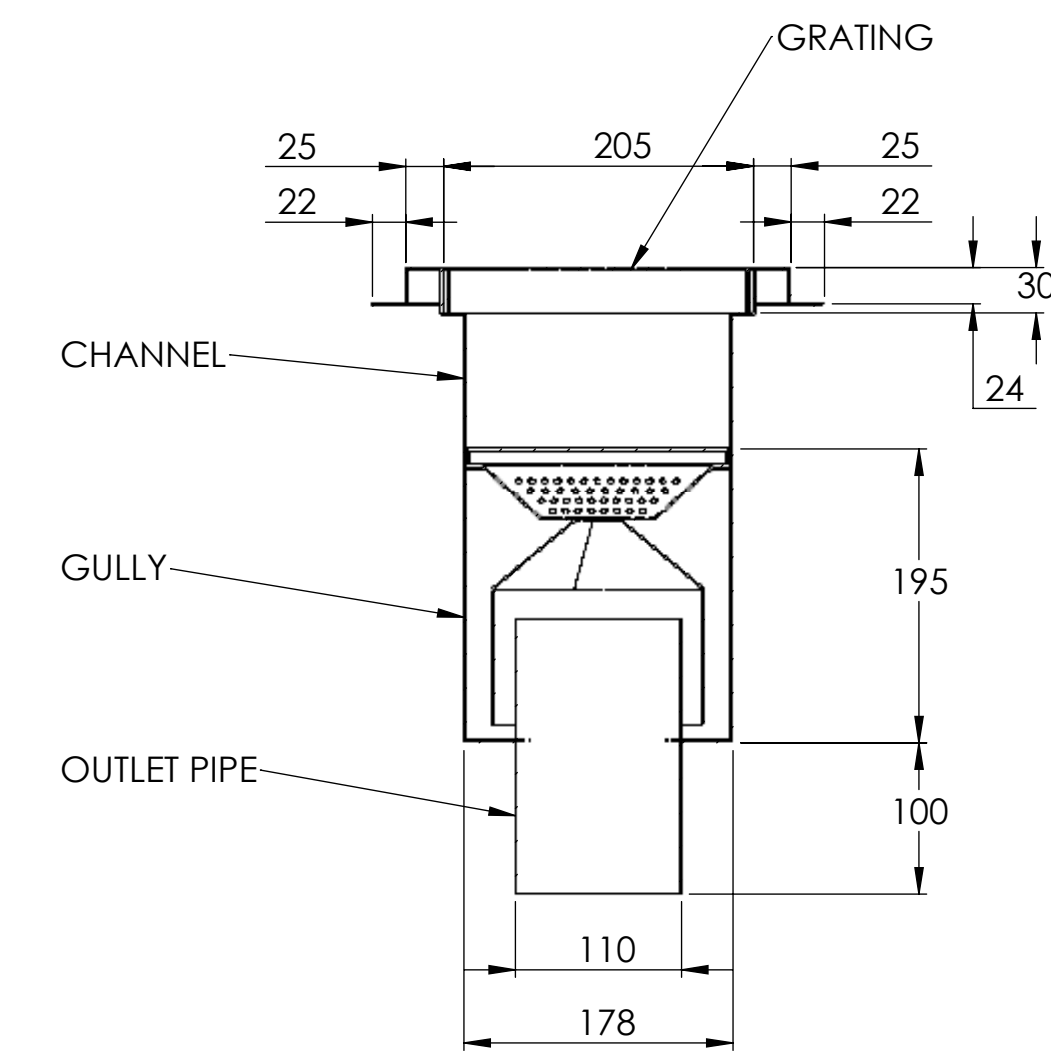
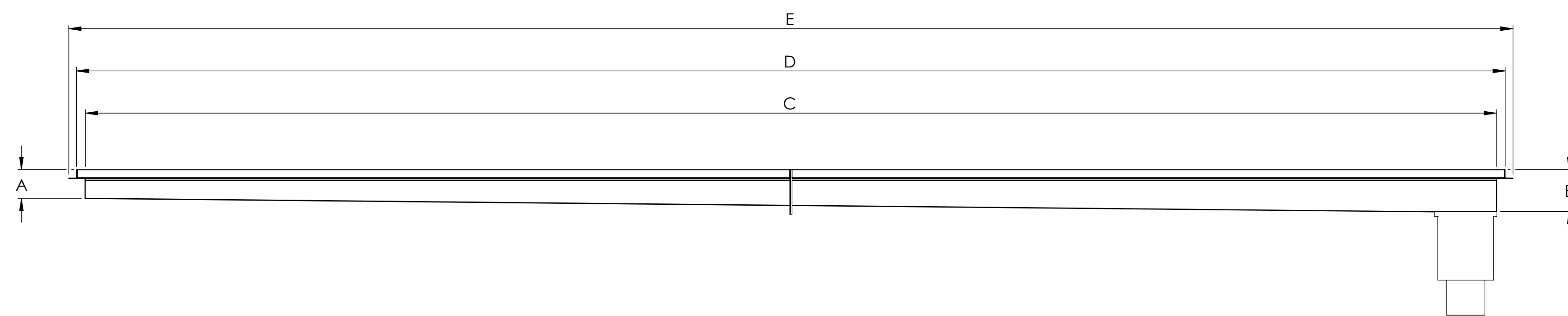
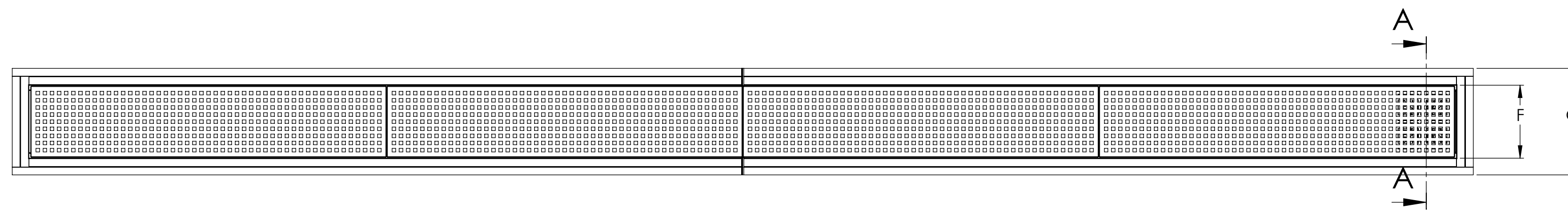
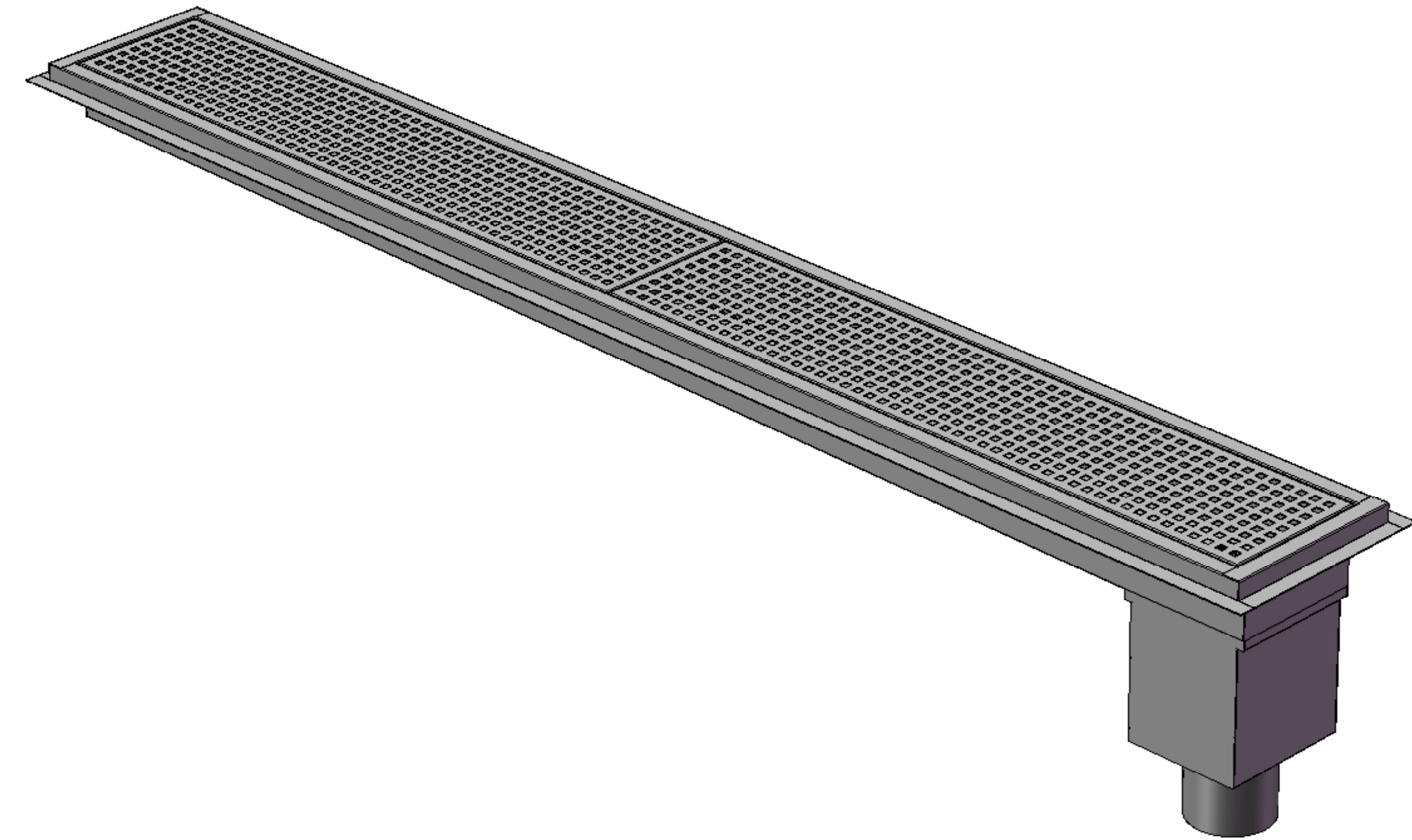


	900 x 200 ALU1001	3720 x 200 ALU1001	4660 x 200 ALU1001
A	83	83	83
B	88	116	126
C	904	3730	4672
D	954	3780	4722
E	998	3724	4766
F	205	205	205
G	229	229	229



SECTION A-A

REVISION		
REV.	DESCRIPTION	DATE

REPORT ALL ERRORS AND OMISSIONS DIMENSIONS TO BE CHECKED ON SITE
UNLESS OTHERWISE SPECIFIED: DIMENSIONS ARE IN MILLIMETERS
THIS DRAWING REMAINS THE PROPERTY OF OLYMPIC AND MAY NOT BE COPIED, REPRODUCED, LENT OR DISCLOSED WITHOUT THEIR EXPRESS PERMISSION.
OLYMPIC RESERVE THE RIGHT TO MAKE A CHARGE FOR DRAWINGS

TITLE
ALU1001 200

CLIENT

Alulipe
1 ALBOROUGH STREET, BLYTH
NORTHUMBERLAND
NE24 2EU
TEL: +44 (0) 1670544322
www.alulipe.co.uk

SCALE	DATE	DRAWN BY
	06/03/2008	ctaralba
DRAWING NO	REV	