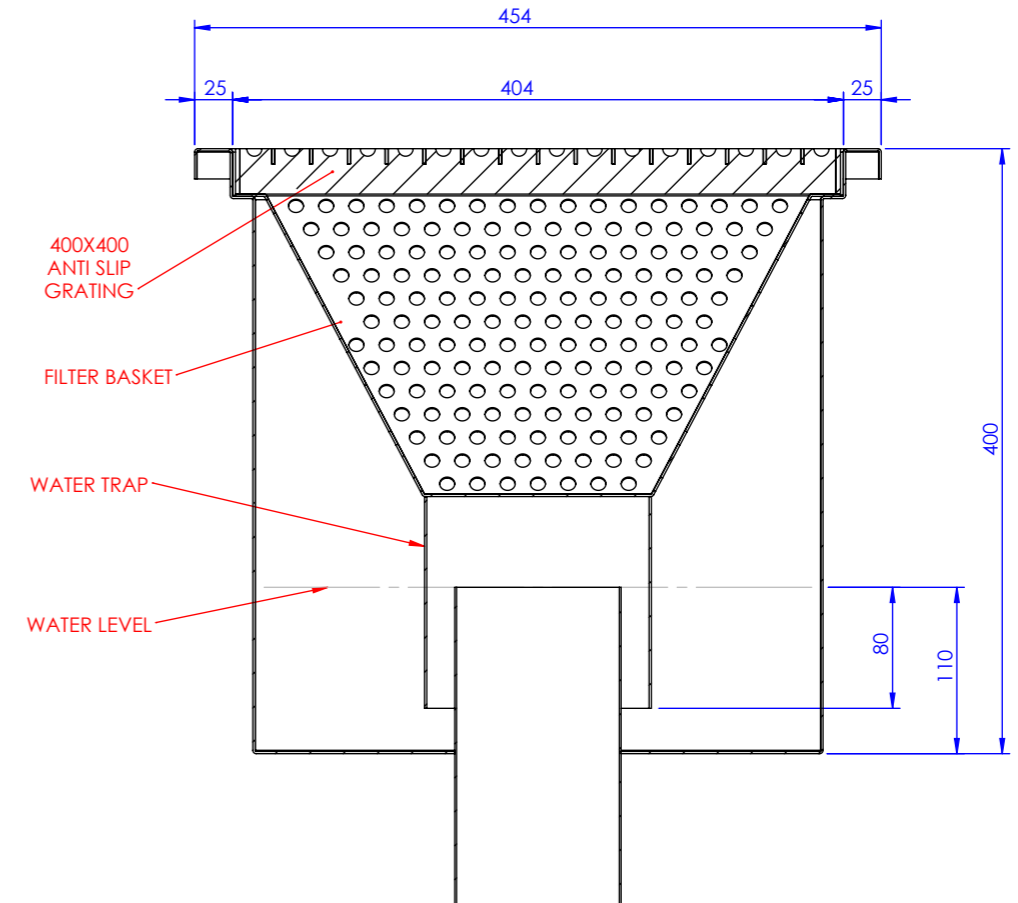


SECTION A-A
SCALE 1 : 5

GUTTER DEPTH LEGEND	
LOCATION	GUTTER DEPTH (D)
A	60
B	149
C	183



SECTION B-B
SCALE 1 : 5

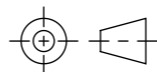


59-62 BRINDLEY ROAD
ASTMOOR INDUSTRIAL ESTATE
RUNCORN, CHESHIRE WA7 1PF
TEL: 01928 563532
FAX: 01928 580224

THIS DRAWING REMAINS THE PROPERTY OF ALULINE GROUP AND MAY NOT BE COPIED, REPRODUCED, LENT OR DISCLOSED WITHOUT THEIR EXPRESS PERMISSION.

ALULINE GROUP RESERVE THE RIGHT TO MAKE A CHARGE FOR DRAWING/S

PROJECTION



DIMENSIONS IN MILLIMETERS (mm)

DRAWN BY: ctorralba

DATE: 22.12.2009

TITLE:

90° 18m x 7m channel

DRAWING NO.

CH-1011

SCALE:

1:90 @ A3

REV

?