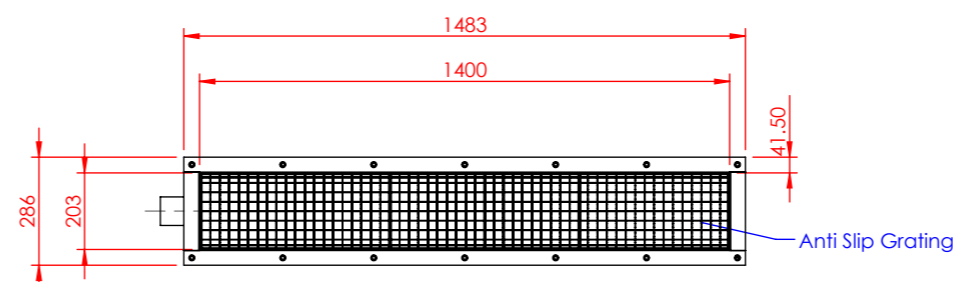
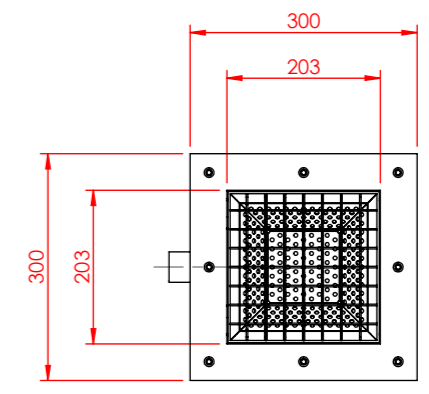


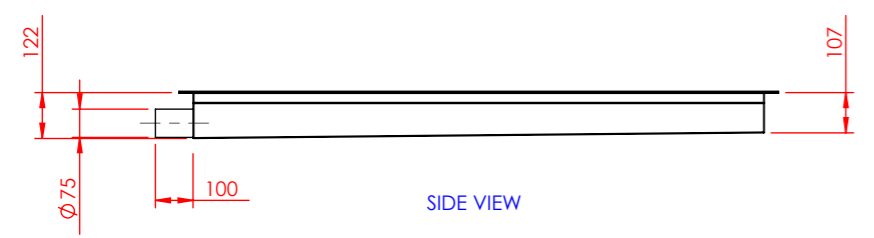
TOP VIEW



TOP VIEW

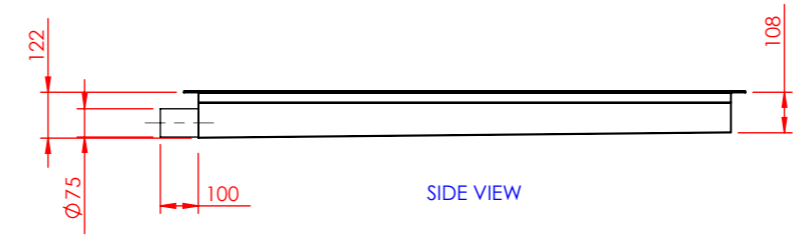


TOP VIEW



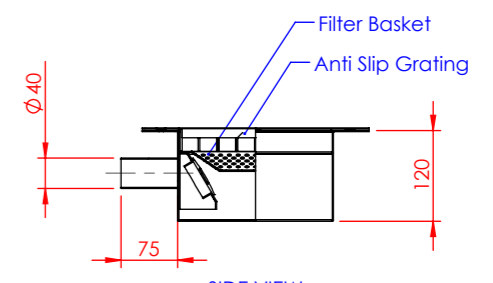
SIDE VIEW

Boiling Pans Channel
1500 x 300mm
Side outlet Ø75mm



SIDE VIEW

Combi Oven Channel
1400 x 200mm
Side outlet Ø75mm



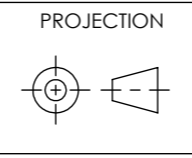
SIDE VIEW

General Gully
200 x 200mm
Side outlet Ø40mm



59-62 BRINDLEY ROAD
ASTMOOR INDUSTRIAL ESTATE
RUNCORN, CHESHIRE WA7 1PF
TEL: 01928 563532
FAX: 01928 580224

THIS DRAWING REMAINS THE PROPERTY OF ALULINE GROUP AND MAY NOT BE COPIED, REPRODUCED, LENT OR DISCLOSED WITHOUT THEIR EXPRESS PERMISSION.
ALULINE GROUP RESERVE THE RIGHT TO MAKE A CHARGE FOR DRAWING/S



DIMENSIONS IN MILLIMETERS (mm)	
DRAWN BY:	ctorralba
DATE:	30.05.2012

TITLE:
1500x300 & 1400x200 Channel,
200x200 Gully

DRAWING NO.
CH-1037

SCALE:
1:10 @ A3
REV ?