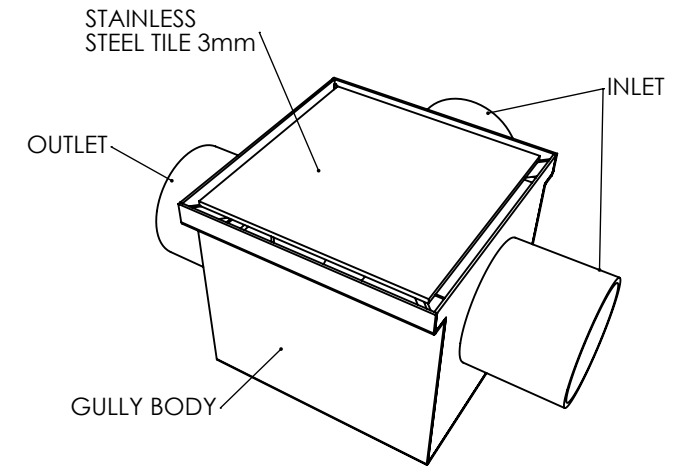


OPTION 1
2 INLETS @ 75mm PIPE
1 OUTLET @ 75mm PIPE

OPTION 2
2 INLETS @ 50mm PIPE
1 OUTLET @ 75mm PIPE



PLEASE TAKE NOTE ON THE WATER SEAL DEPTH LEVEL FOR BOTH INLET PIPES (75 & 50mm INLET PIPE)



Client:

Description:
2 INLET GULLY

THIS DRAWING REMAINS THE PROPERTY OF OLYMPIC AND MAY NOT BE COPIED, REPRODUCED, LENT OR DISCLOSED WITHOUT THEIR EXPRESS PERMISSION

Drawn by: ctorralba
Date: 04/07/2007

Approved by:
Date:

UNLESS OTHERWISE SPECIFIED: DIMENSIONS ARE IN MILLIMETERS

SHEET 1 OF 1