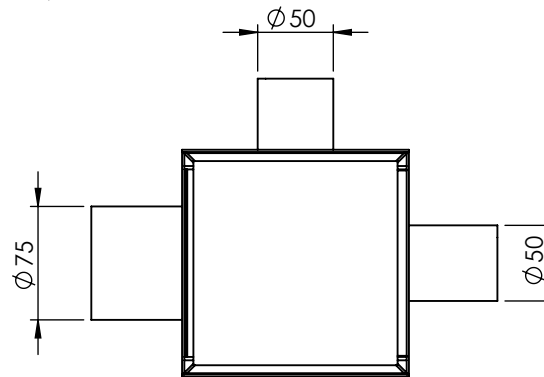
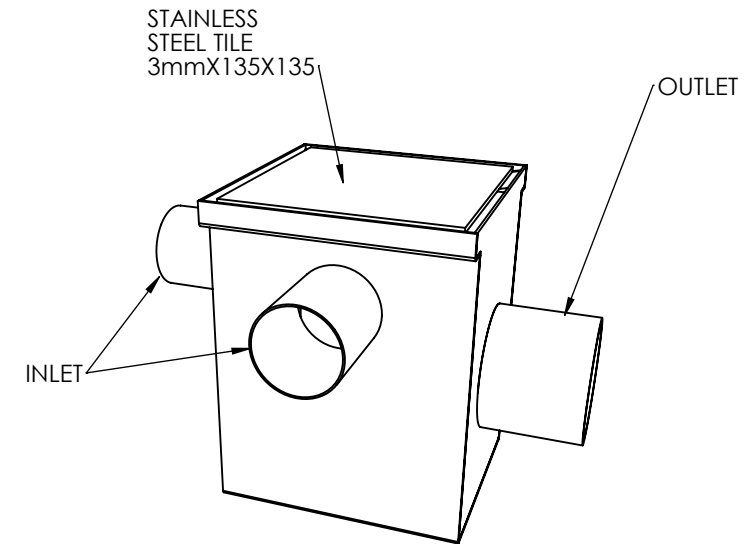


TOP VIEW  
SCALE 1:5  
2 INLET @ 75mm PIPE  
1 OUTLET @75mm PIPE



TOP VIEW  
SCALE 1:5  
2 INLET @ 50mm PIPE  
1 OUTLET @75mm PIPE



FLOW RATE = 0.666LITERS/SEC



Client:

Description:

2 INLET GULLY

THIS DRAWING REMAINS THE  
PROPERTY OF OLYMPIC AND  
MAY NOT BE COPIED,  
REPRODUCED, LENT OR  
DISCLOSED WITHOUT THEIR  
EXPRESS PERMISSION

Drawn by: ctorralba

Date: 10/07/2007

Approved by:

Date:

UNLESS OTHERWISE SPECIFIED:  
DIMENSIONS ARE IN MILLIMETERS

SHEET 1 OF 1