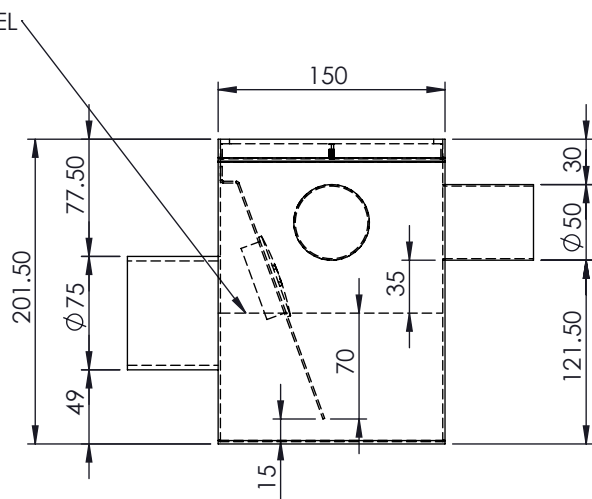
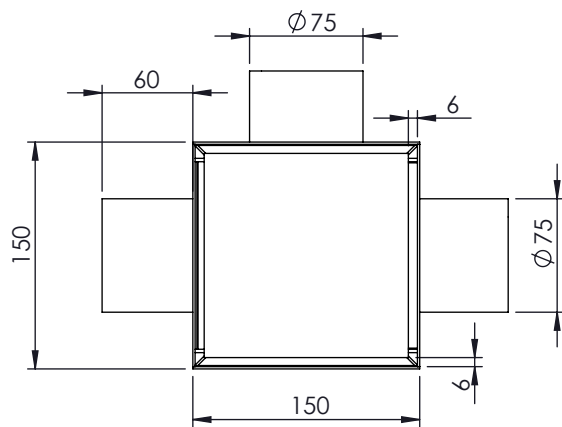


SIDE VIEW
SCALE 1:5

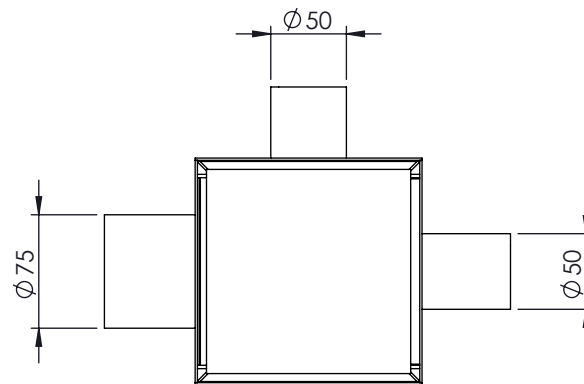


SIDE VIEW
SCALE 1:5



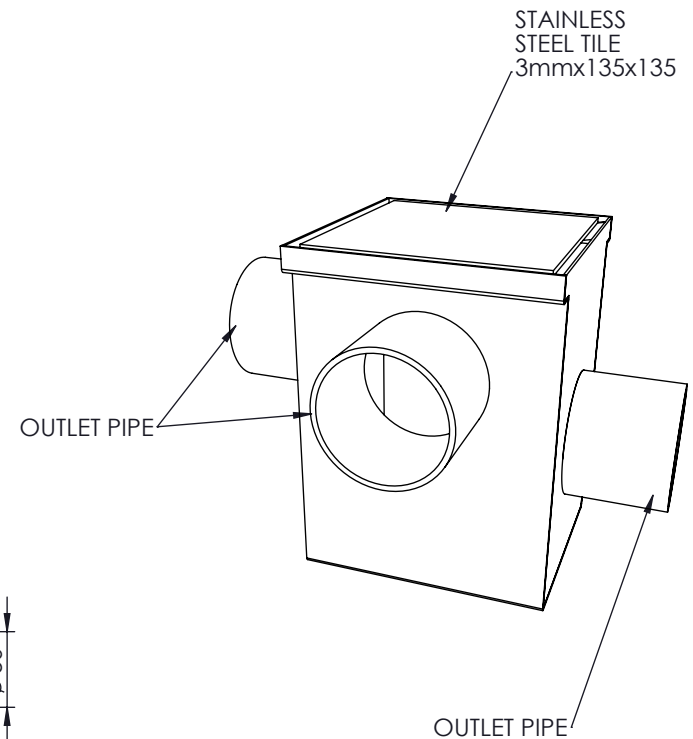
TOP VIEW
SCALE 1:5

2 INLET 75mm PIPE
1 OUTLET 75mm PIPE



TOP VIEW
SCALE 1:5

2 INLET 50mm PIPE
1 OUTLET 75mm PIPE



FLOW RATE = 0.666LITERS/SEC



Client:

Description:

2Inlet Gully

THIS DRAWING REMAINS THE PROPERTY OF OLYMPIC AND MAY NOT BE COPIED, REPRODUCED, LENT OR DISCLOSED WITHOUT THEIR EXPRESS PERMISSION

Drawn by: ctorralba
Date: 18/07/2007

Approved by:
Date:

UNLESS OTHERWISE SPECIFIED:
DIMENSIONS ARE IN MILLIMETERS

Rev B
SHEET 1 OF 1