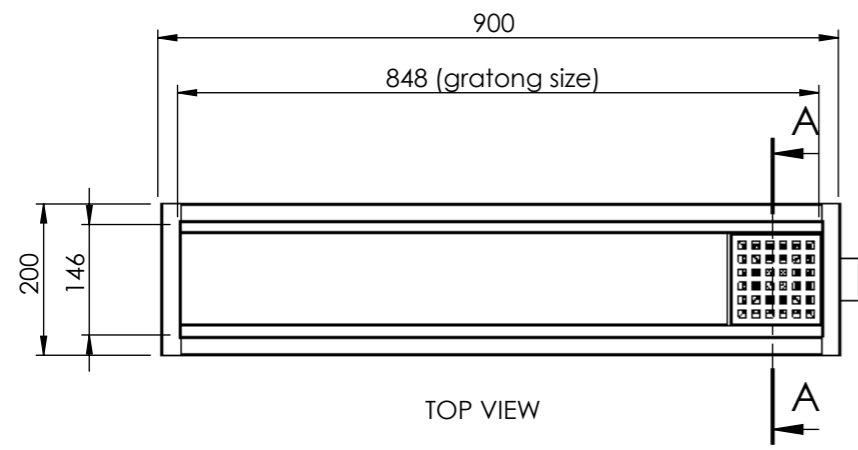
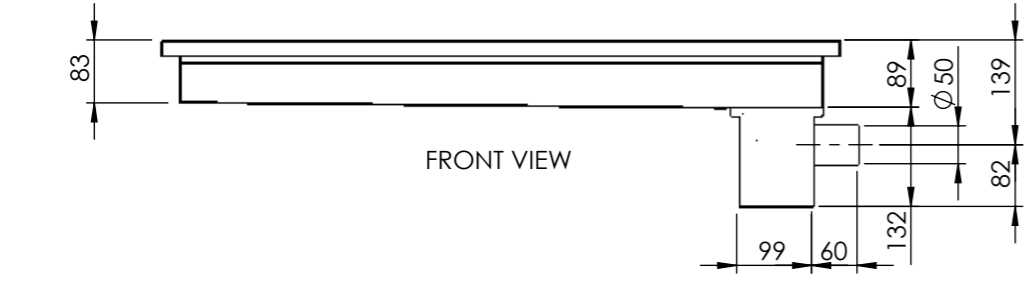


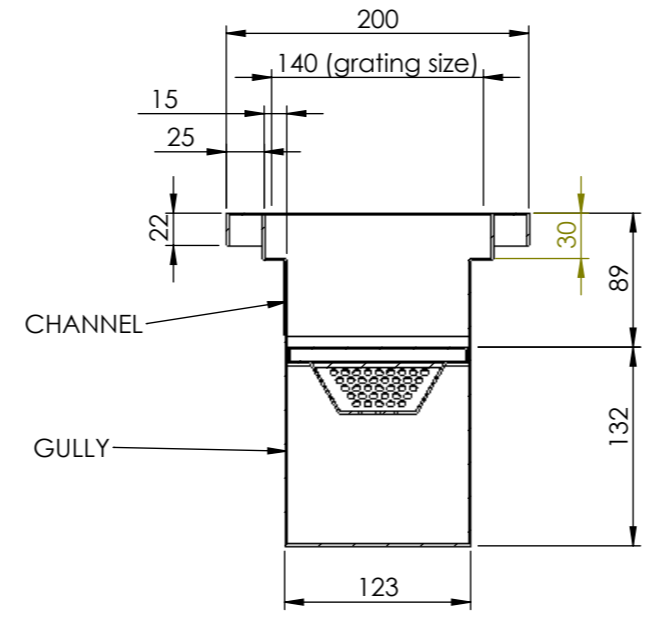
REVISIONS		
REV.	DESCRIPTION	DATE



TOP VIEW

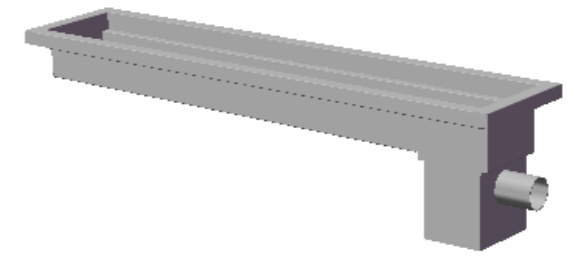


FRONT VIEW

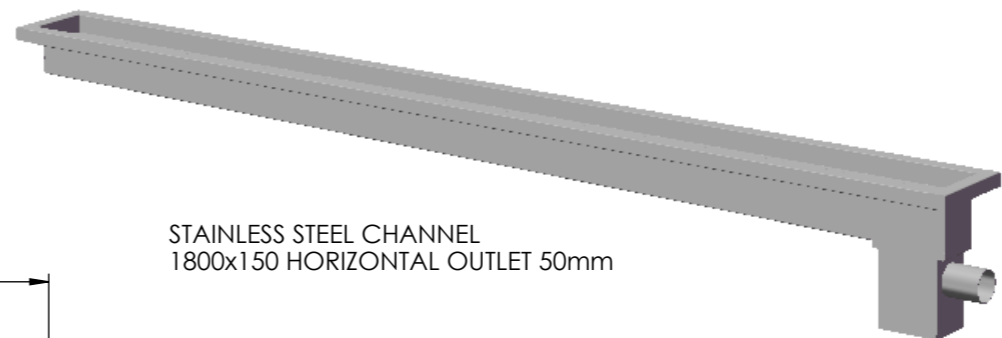


CHANNEL  
GULLY

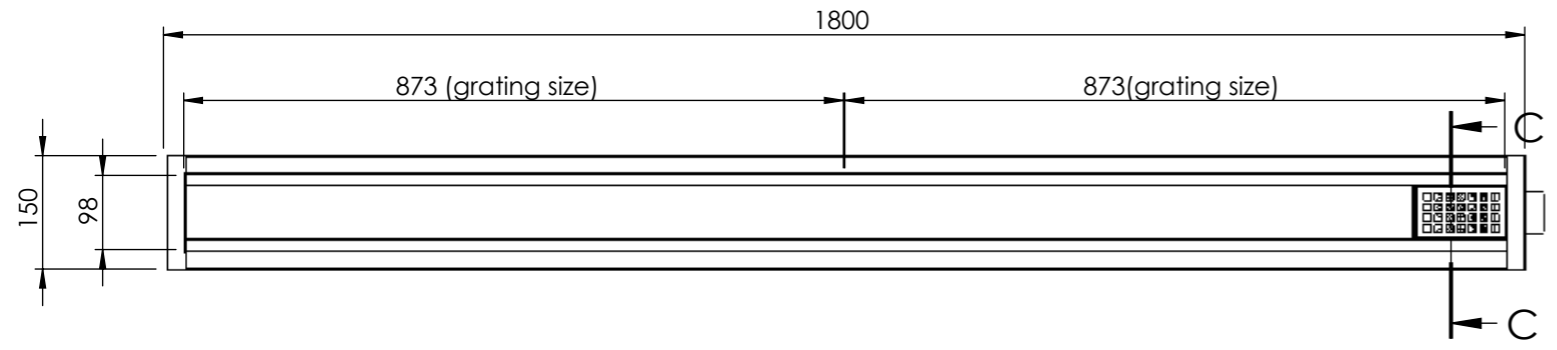
SECTION A-A  
SCALE 1 : 5



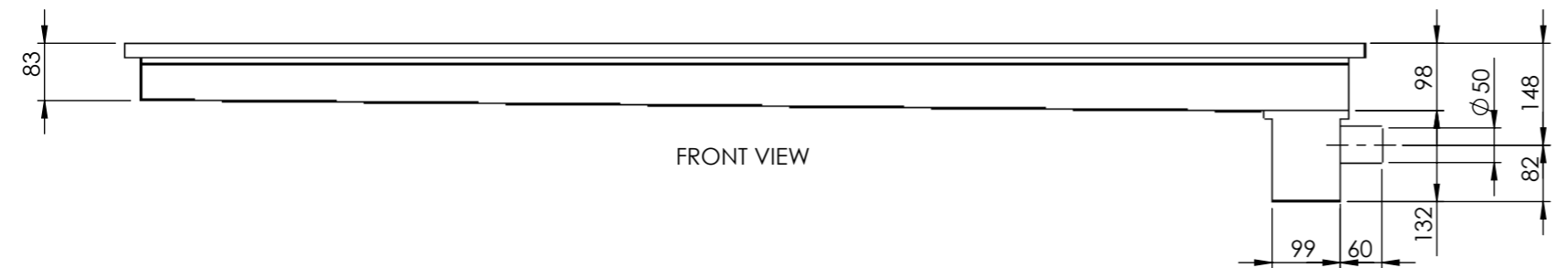
STAINLESS STEEL CHANNEL  
900x200 HORIZONTAL OUTLET 50mm



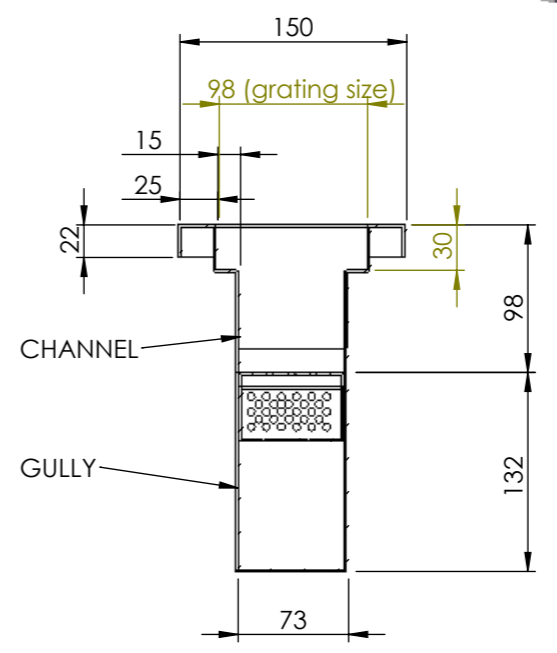
STAINLESS STEEL CHANNEL  
1800x150 HORIZONTAL OUTLET 50mm



TOP VIEW



FRONT VIEW



CHANNEL  
GULLY

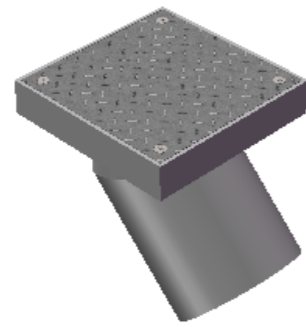
SECTION C-C  
SCALE 1 : 5

ALU1001 CHANNEL  
900x150  
1800x150

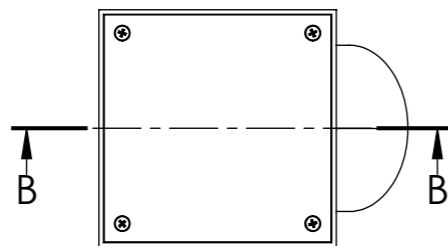
CONTRACT CATERING  
EQUIPMENT



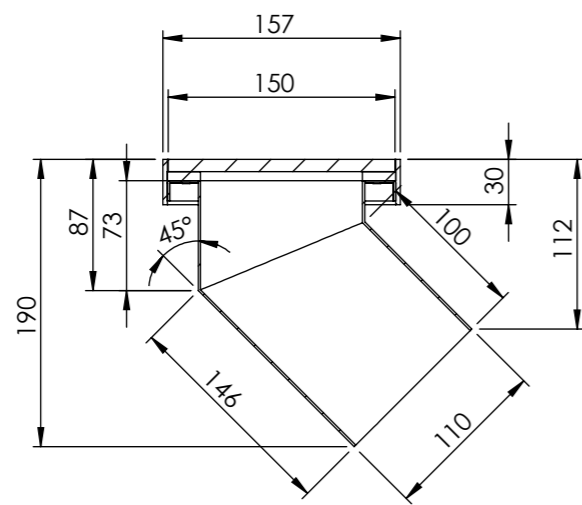
28/07/2008 ctorralba



RODDING EYE



TOP VIEW



SECTION B-B

RODDING EYE 150x150

ALU-AC/3100  
ACCESS COVER  
800x650

CONTRACT CATERING  
EQUIPMENT



28/07/2008

ctorralba

