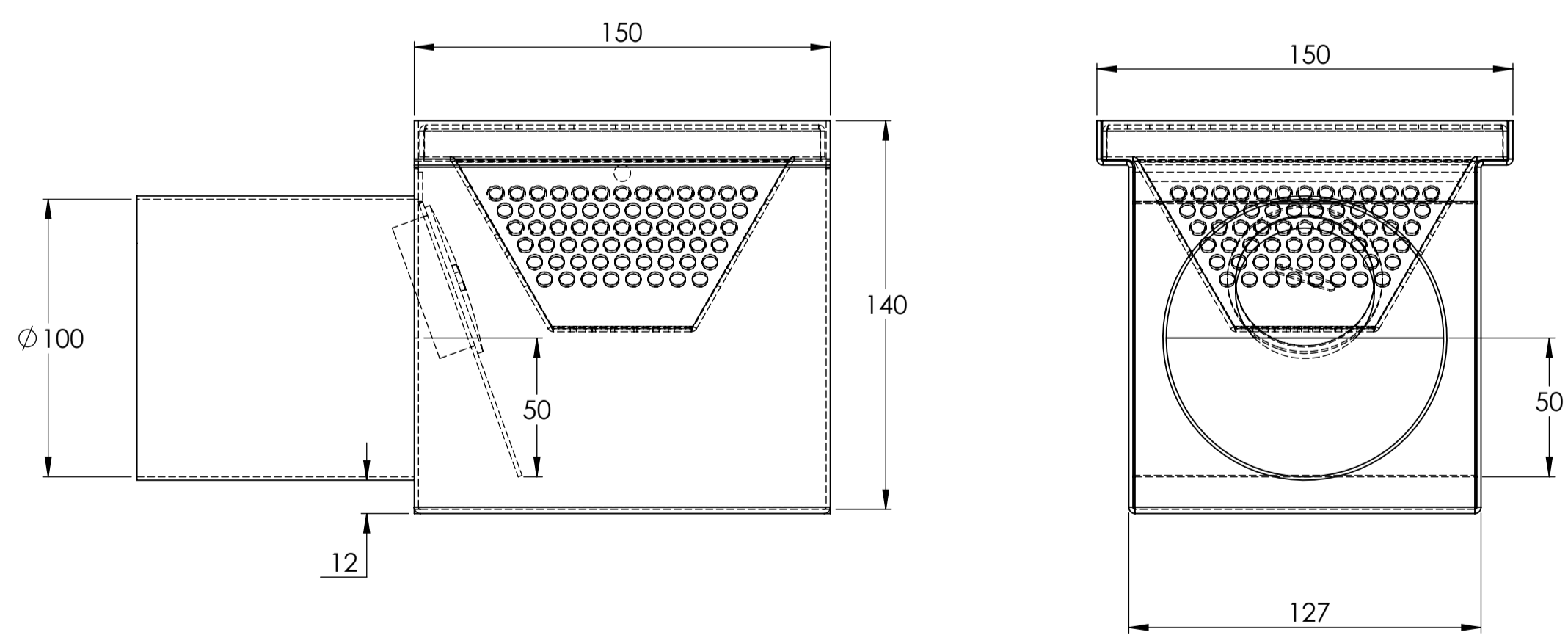
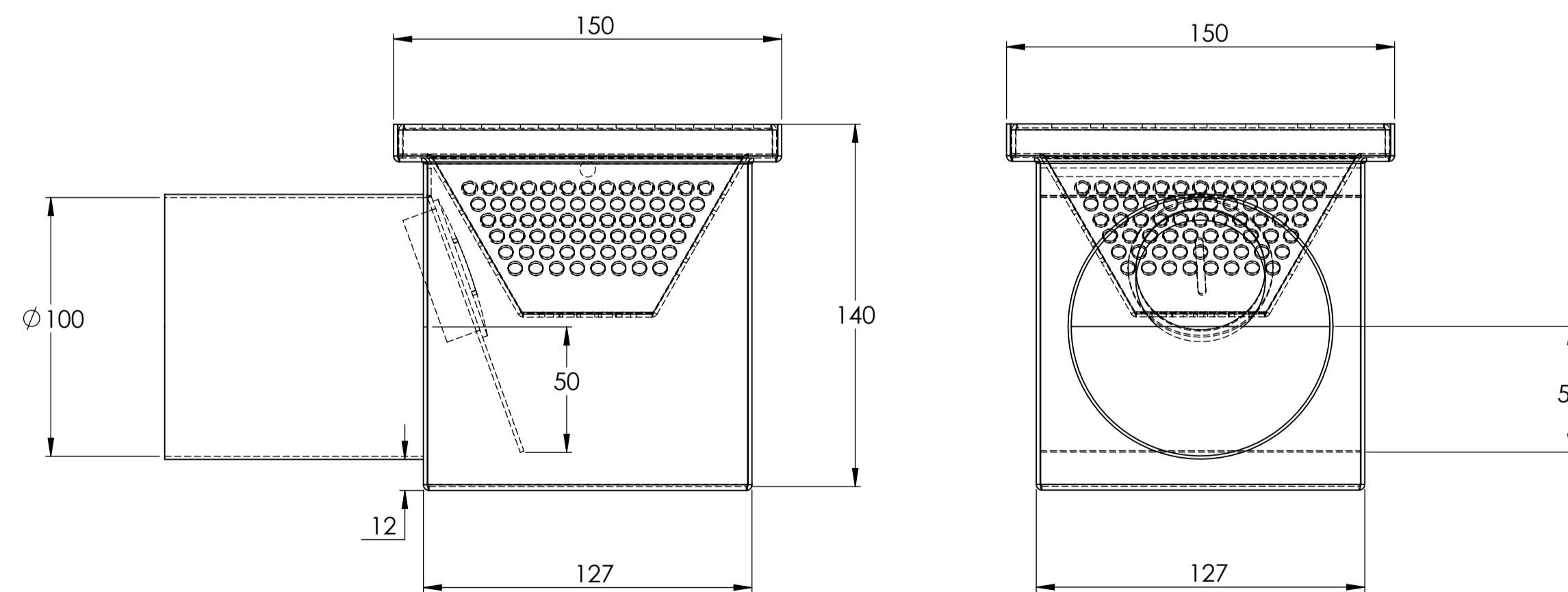


BUCKET GULLY (OPTION1)

BUCKET GULLY (OPTION2)



BUCKET GULLY (OPTION1)
SCALE 1:1 @ A1



BUCKET GULLY (OPTION2)
SCALE 1:1 @ A1

REPORT ALL ERRORS AND OMISSIONS
DIMENSIONS TO BE CHECKED ON SITE

THIS DRAWING REMAINS THE PROPERTY OF
OLYMPIC AND MAY NOT BE COPIED, REPRODUCED,
LENT OR DISCLOSED WITHOUT THEIR
EXPRESS PERMISSION.

OLYMPIC RESERVE THE RIGHT TO MAKE A CHARGE
FOR DRAWINGS

REVISIONS

| REV: | DESCRIPTION: | DATE: |
|------|--------------|-------|
| | | |

APPROVED FOR MANUFACTURE

SIGNED: _____ DATE: _____

TITLE

CLIENT



59-62 BRINDLEY ROAD
ASTMOOR INDUSTRIAL ESTATE
RUNCORN
CHESHIRE WA7 1PF

TEL: 01928 563532 FAX: 01928 580224

| SCALE | DATE | DRAWN BY |
|-------|------|----------|
| | | |

| DRAWING NO | REV |
|------------|-----|
| | |