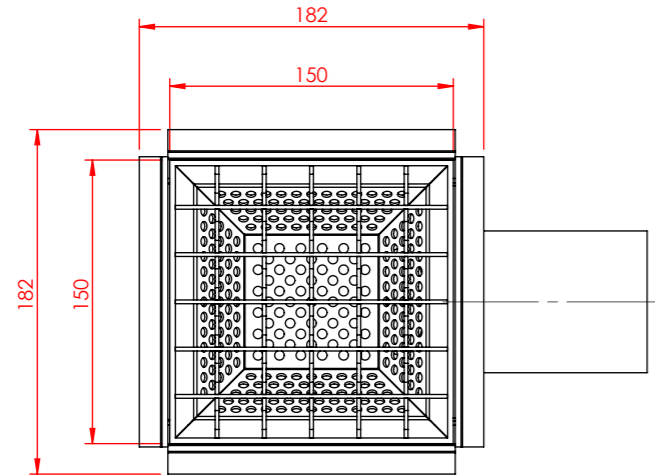
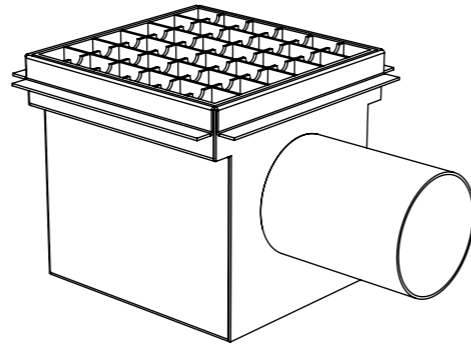
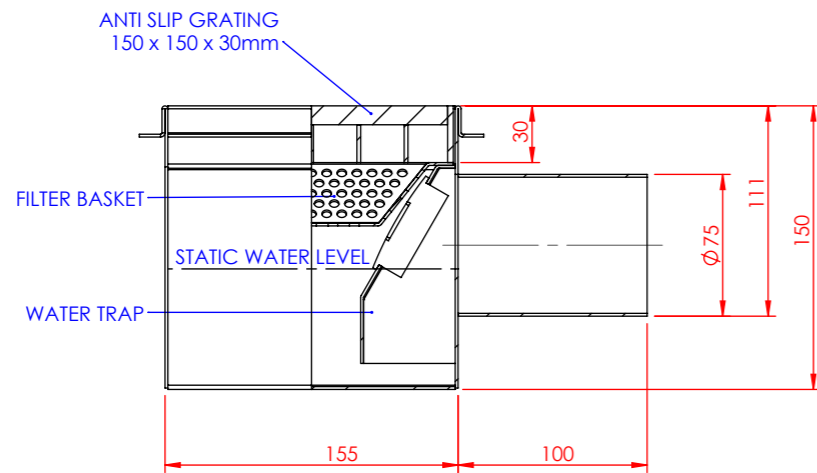


150 x 150 GULLY
HORIZONTAL OUTLET

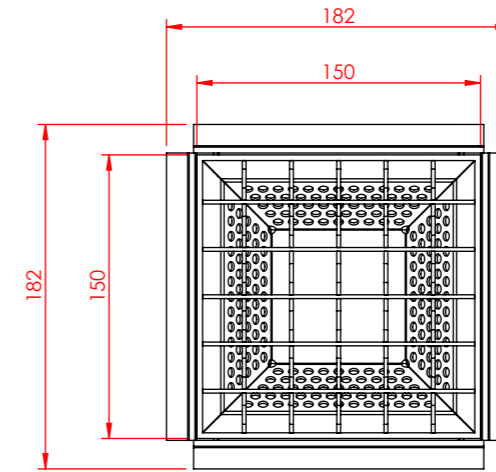
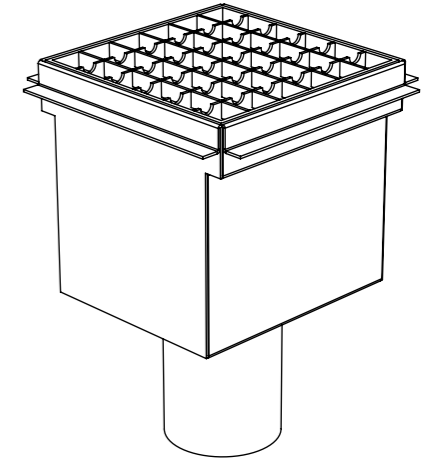


TOP VIEW

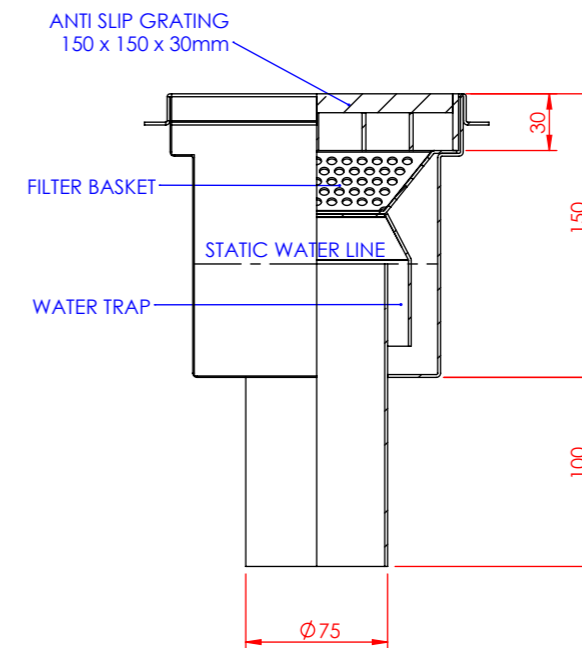


FRONT VIEW

150 x 150 GULLY
VERTICAL OUTLET



TOP VIEW



FRONT VIEW

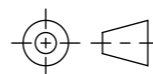


59-62 BRINDLEY ROAD
ASTMOOR INDUSTRIAL ESTATE
RUNCORN, CHESHIRE WA7 1PF
TEL: 01928 563532
FAX: 01928 580224

THIS DRAWING REMAINS THE PROPERTY OF ALULINE GROUP AND MAY NOT BE COPIED, REPRODUCED, LENT OR DISCLOSED WITHOUT THEIR EXPRESS PERMISSION.

ALULINE GROUP RESERVE THE RIGHT TO MAKE A CHARGE FOR DRAWING/S

PROJECTION



DIMENSIONS IN MILLIMETERS (mm)

DRAWN BY: ctorralba

DATE: 12.08.2010

TITLE:

ALU3150 GULLY
(HORIZONTAL & VERTICAL OUTLET)

DRAWING NO.

GU-1017

SCALE:

1:4 @ A3

REV

?