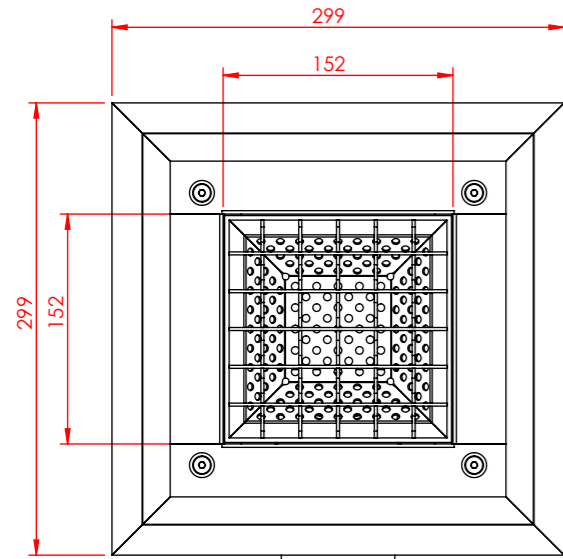
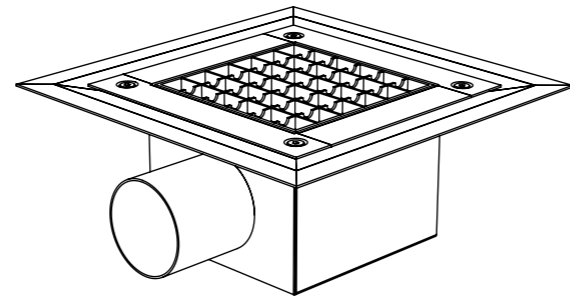
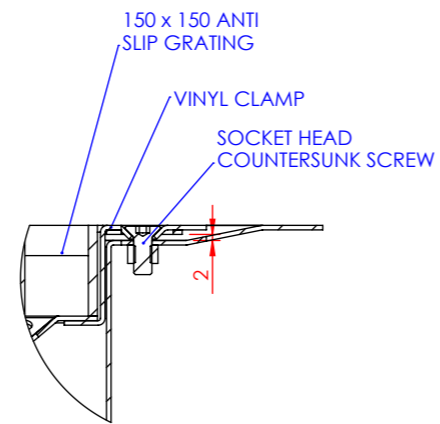


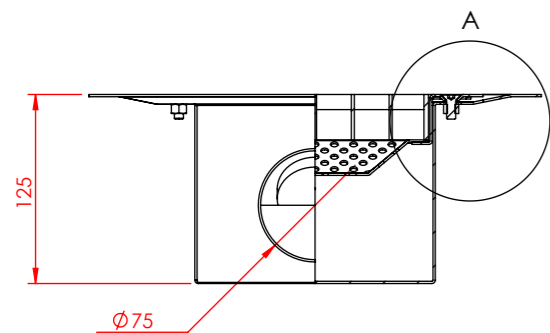
150 x 150 HORIZONTAL OUTLET GULLY - VINYL TYPE



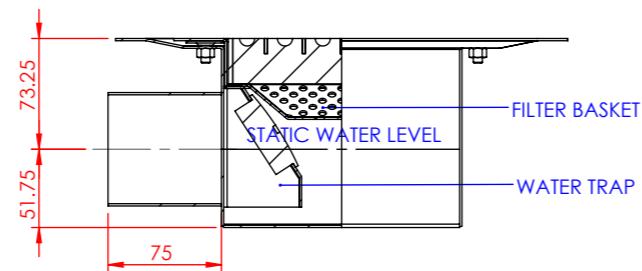
TOP VIEW



DETAIL A  
SCALE 2 : 5

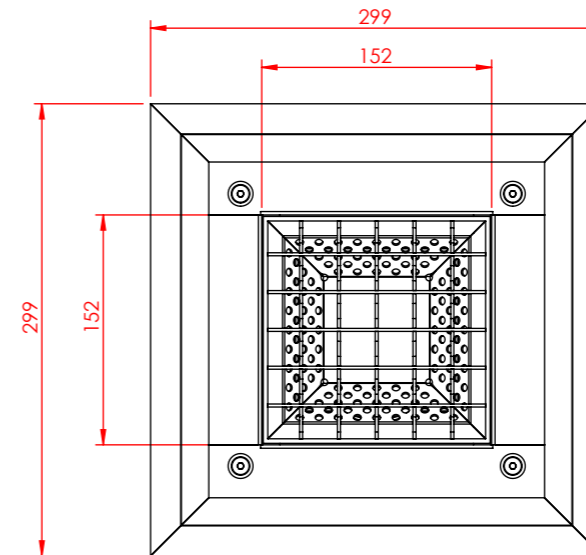
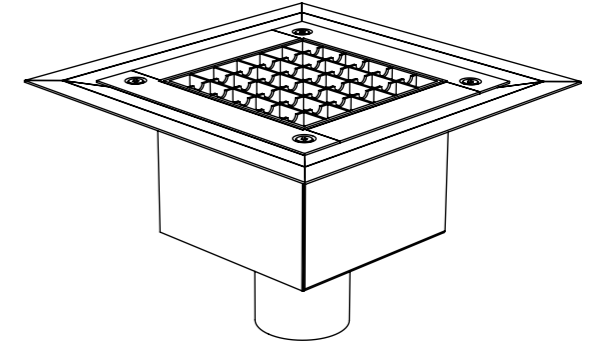


FRONT VIEW

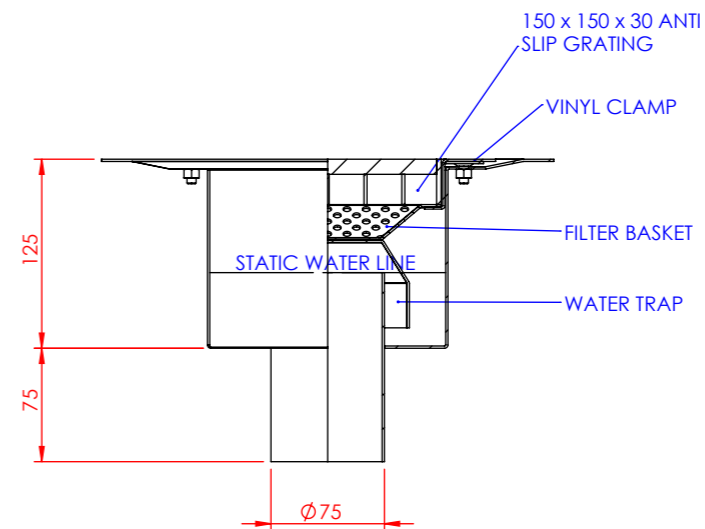


SIDE VIEW

150 x 150 VERTICAL OUTLET GULLY - VINYL TYPE



TOP VIEW



SIDE VIEW

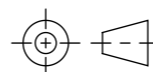


59-62 BRINDLEY ROAD  
ASTMOOR INDUSTRIAL ESTATE  
RUNCORN, CHESHIRE WA7 1PF  
TEL: 01928 563532  
FAX: 01928 580224

THIS DRAWING REMAINS THE PROPERTY OF ALULINE GROUP AND MAY NOT BE COPIED, REPRODUCED, LENT OR DISCLOSED WITHOUT THEIR EXPRESS PERMISSION.

ALULINE GROUP RESERVE THE RIGHT TO MAKE A CHARGE FOR DRAWING/S

PROJECTION



DIMENSIONS IN MILLIMETERS (mm)

DRAWN BY: ctorralba

DATE: 23.08.2010

TITLE:

150 x 150 GULLY - VINYL TYPE

DRAWING NO.

GU-1018

SCALE:

1:5 @ A3

REV

?