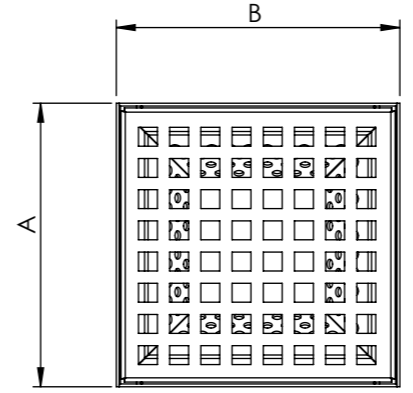
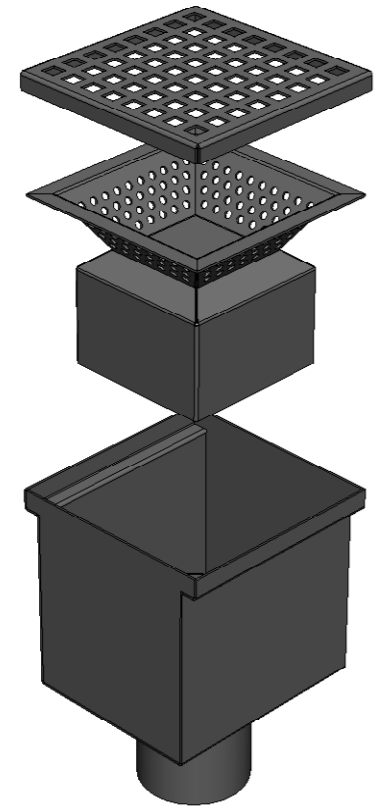
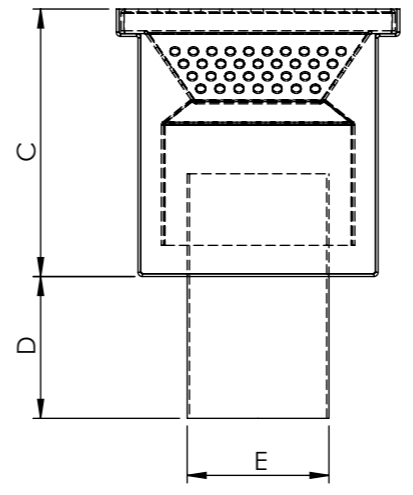
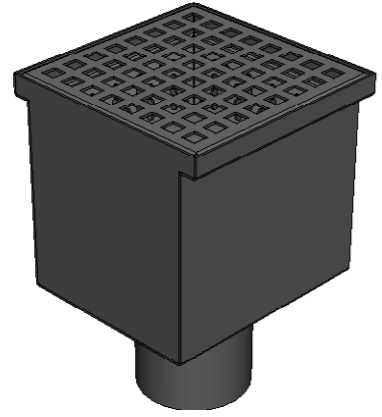


REVISIONS		
REV.	DESCRIPTION	DATE



GULLY	A(mm)	B(mm)	C(mm)	D(mm)	E(mm)
ALU3150V	150	150	150	60-100	50/75/110
ALU3200V	200	200	200	60-100	50/75/110

REPORT ALL ERRORS AND OMISSIONS DIMENSIONS TO BE CHECKED ON SITE  
UNLESS OTHERWISE SPECIFIED: DIMENSIONS ARE IN MILLIMETERS

THIS DRAWING REMAINS THE PROPERTY OF ALULINE AND MAY NOT BE COPIED REPRODUCED, LENT OR DISCLOSED WITHOUT THEIR EXPRESS PERMISSION.

ALULINE RESERVE THE RIGHT TO MAKE A CHARGE FOR DRAWINGS

TITLE  
**LIGHT DUTY GULLY  
VERTICAL OUTLET**

CLIENT

**Aluline Group**

59-62 BRINDLEY ROAD  
ASTMOOR INDUSTRIAL ESTATE  
RUNCORN  
CHESHIRE WA7 1PF

TEL: 01928 563532 FAX: 01928 580224

SCALE	DATE	DRAWN BY
	24/07/08	ctorralba

DRAWING NO	REV