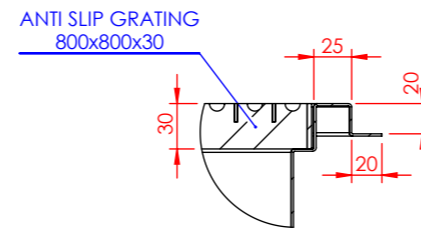
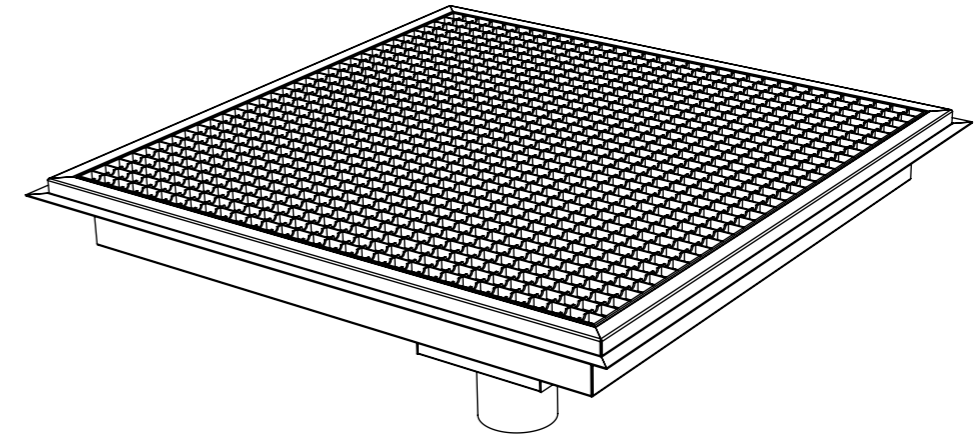
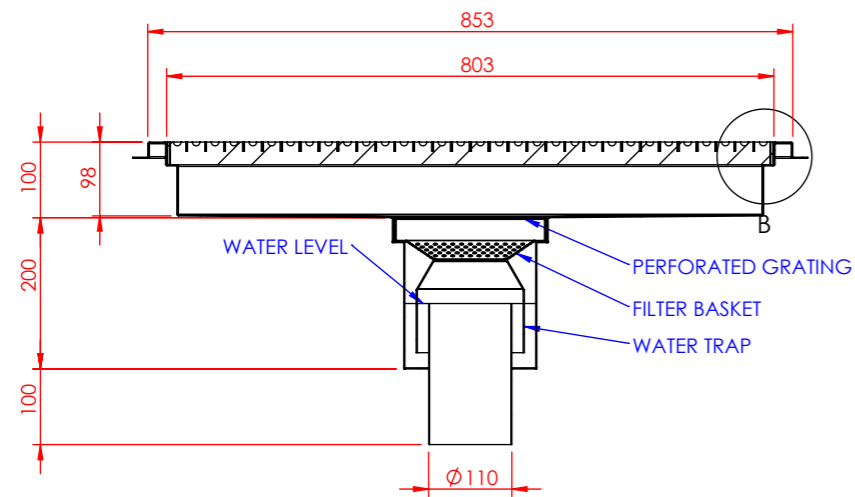


DETAIL C
SCALE 1 : 5

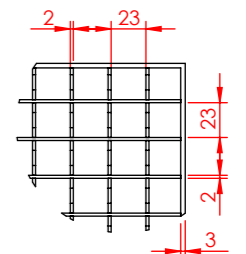
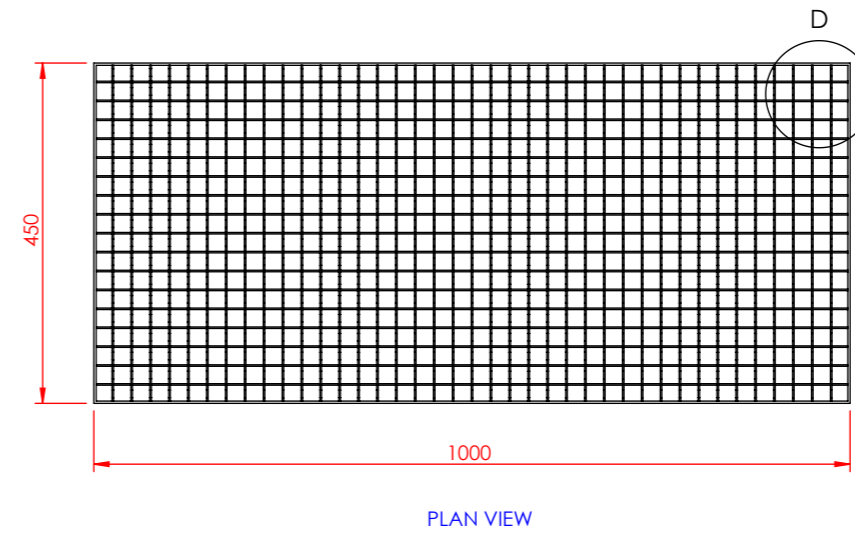


DETAIL B
SCALE 1 : 5



SECTION A-A

450mm x 1000mm x 30mm ANTI SLIP GRATING



DETAIL D
SCALE 1 : 5

NOTE: THE GRATINGS ARE NOT SUITABLE FOR PALLET TRUCK TRAFFIC OR FORK LIFT TRAFFIC

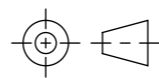


59-62 BRINDLEY ROAD
ASTMOOR INDUSTRIAL ESTATE
RUNCORN, CHESHIRE WA7 1PF
TEL: 01928 563532
FAX: 01928 580224

THIS DRAWING REMAINS THE PROPERTY OF ALULINE GROUP AND MAY NOT BE COPIED, REPRODUCED, LENT OR DISCLOSED WITHOUT THEIR EXPRESS PERMISSION.

ALULINE GROUP RESERVE THE RIGHT TO MAKE A CHARGE FOR DRAWING/S

PROJECTION



DIMENSIONS IN MILLIMETERS (mm)

DRAWN BY: ctorralba

DATE: 06.05.2010

TITLE:

800 x 800 GULLY

DRAWING NO.

GU-1013

SCALE:

1:10 @ A3

REV

?