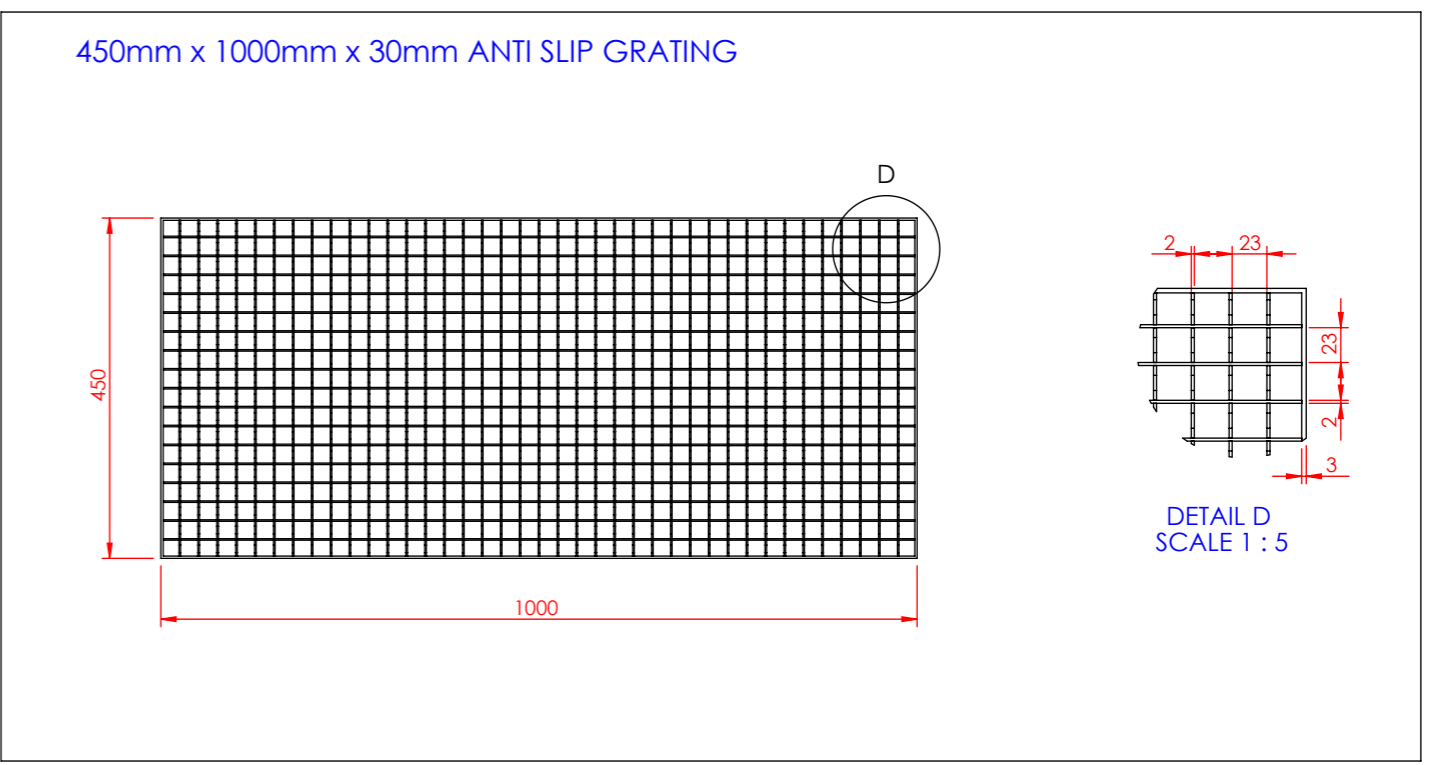
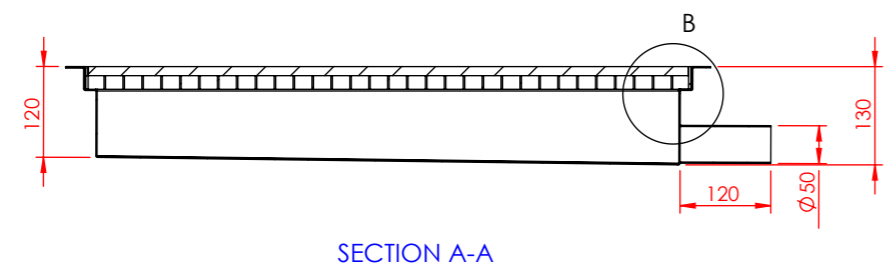
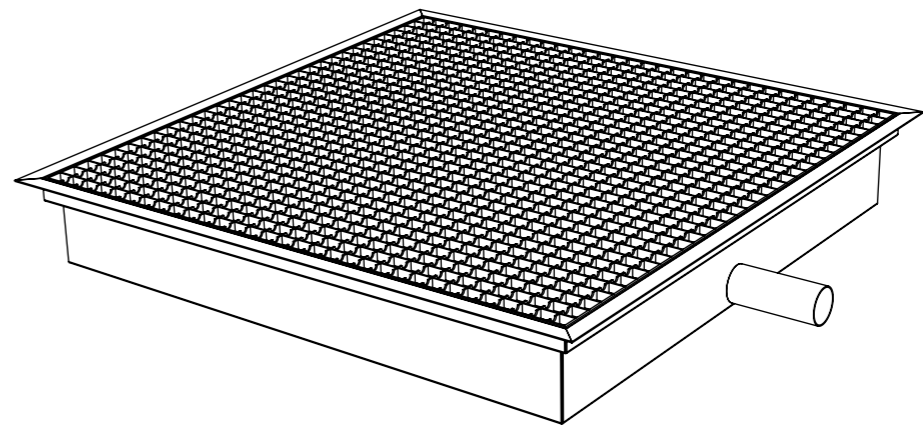
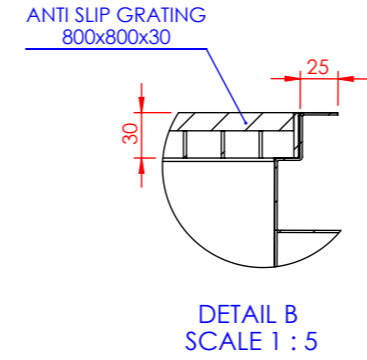
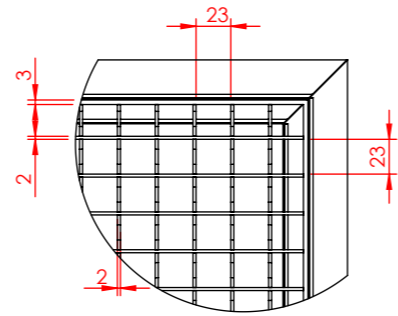
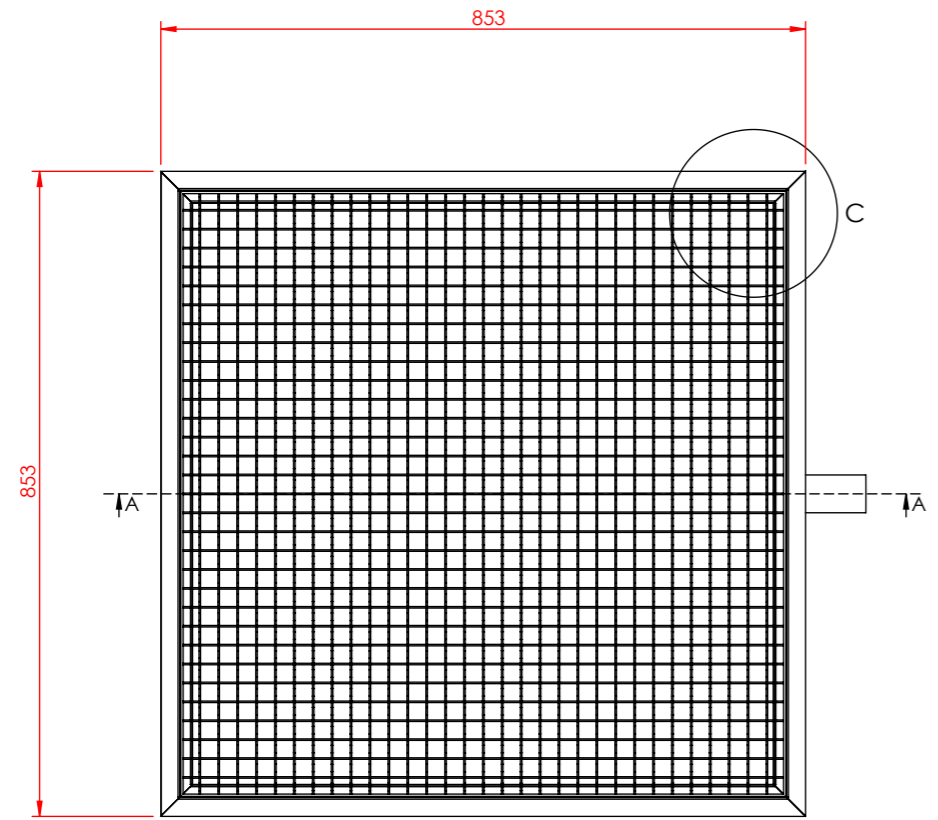


REVISION		
REV.	DESCRIPTION	DATE
A	Replace the vertical outlet with horizontal outlet	07/05/2010
B	Slope was changed from 100 to 120 on the left side and 108 to 130 on the right side	12/05/2010



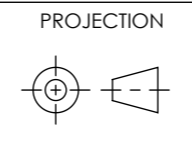
NOTE: THE GRATINGS ARE NOT SUITABLE FOR PALLET TRUCK TRAFFIC OR FORK LIFT TRAFFIC



59-62 BRINDLEY ROAD
ASTMOOR INDUSTRIAL ESTATE
RUNCORN, CHESHIRE WA7 1PF
TEL: 01928 563532
FAX: 01928 580224

THIS DRAWING REMAINS THE PROPERTY OF ALULINE GROUP AND MAY NOT BE COPIED, REPRODUCED, LENT OR DISCLOSED WITHOUT THEIR EXPRESS PERMISSION.

ALULINE GROUP RESERVE THE RIGHT TO MAKE A CHARGE FOR DRAWING/S



DIMENSIONS IN MILLIMETERS (mm)

DRAWN BY: ctorralba

DATE: 06.05.2010

TITLE:

800 x 800 GULLY

DRAWING NO.

GU-1013

SCALE:
1:10 @ A3

REV
B