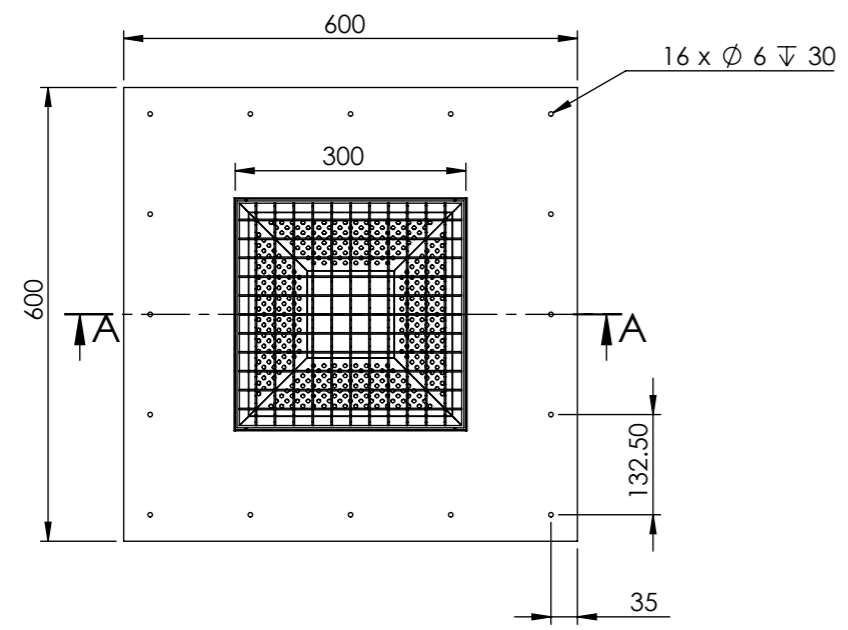
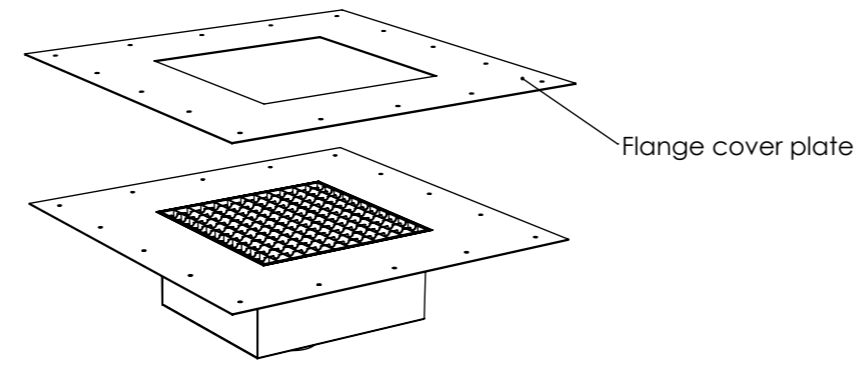


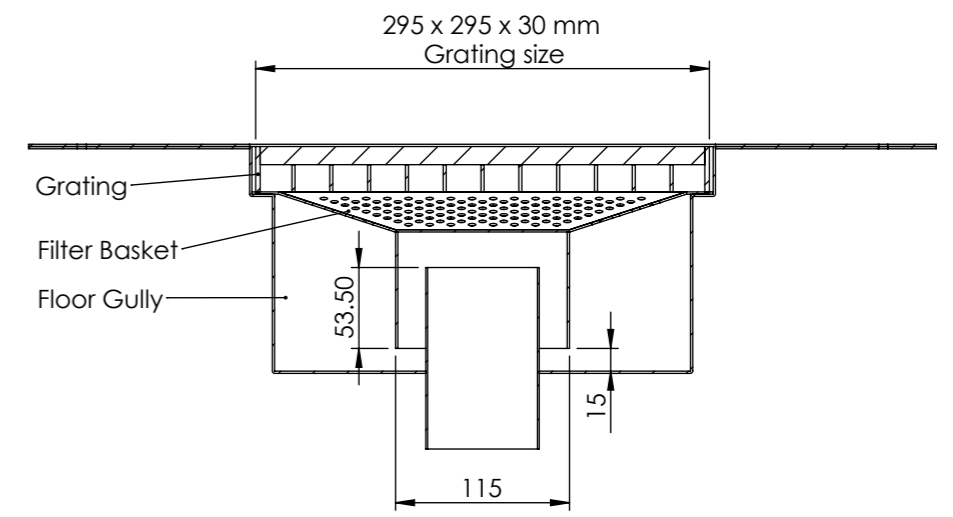
REVISIONS		
REV.	DESCRIPTION	DATE



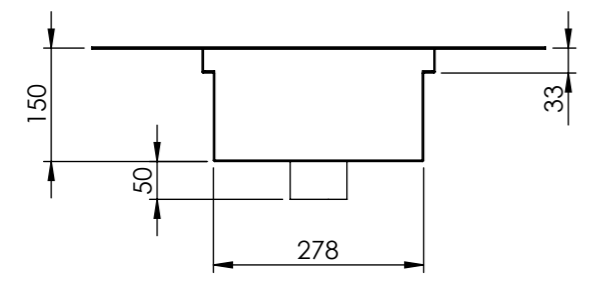
Top View



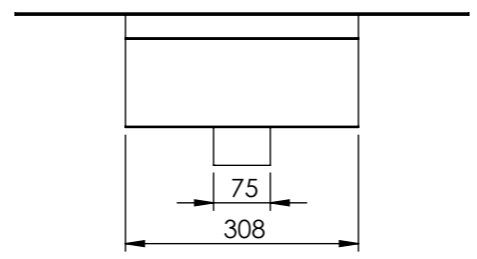
Flange cover plate



SECTION A-A  
SCALE 1 : 5



Front View



Side View

Material:  
 Gully - Stainless Steel 304 x 1.5 mm  
 Flange cover plate - Stainless Steel 304 x 1.5 mm  
 Filter Basket - Stainless Steel 304 x 1.5 mm  
 Grating - Stainless Steel 304 x 2.0 mm

REPORT ALL ERRORS AND OMISSIONS  
 DIMENSIONS TO BE CHECKED ON SITE  
 UNLESS OTHERWISE SPECIFIED:  
 DIMENSIONS ARE IN MILLIMETERS

THIS DRAWING REMAINS THE PROPERTY OF  
 ALULINE AND MAY NOT BE COPIED REPRODUCED,  
 LENT OR DISCLOSED WITHOUT THEIR  
 EXPRESS PERMISSION.

ALULINE RESERVE THE RIGHT TO MAKE A CHARGE  
 FOR DRAWINGS

TITLE  
**Floor Gully 300 x 300**

CLIENT  
**PKL**

**Aluline Group**

59-62 BRINDLEY ROAD  
 ASTMOOR INDUSTRIAL ESTATE  
 RUNCORN  
 CHESHIRE WA7 1PF

TEL: 01928 563532 FAX: 01928 580224

SCALE	DATE	DRAWN BY
	03/09/2008	ctorralba

DRAWING NO	REV