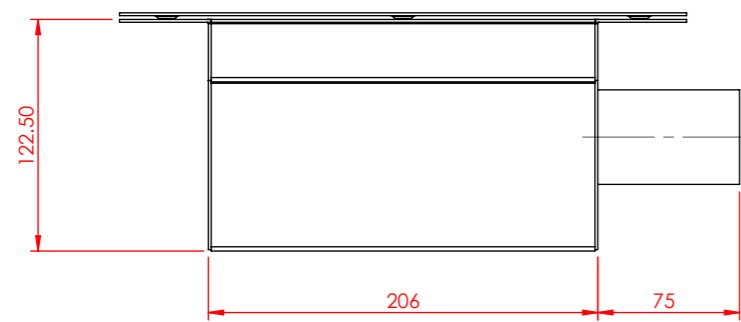
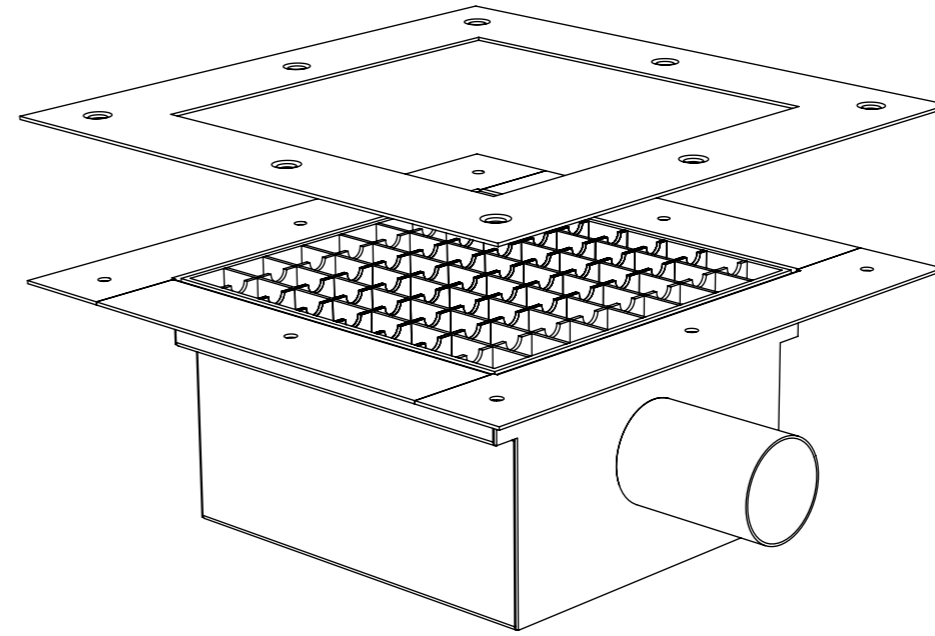
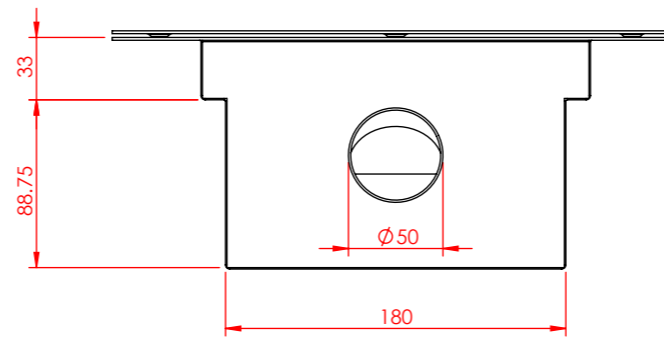


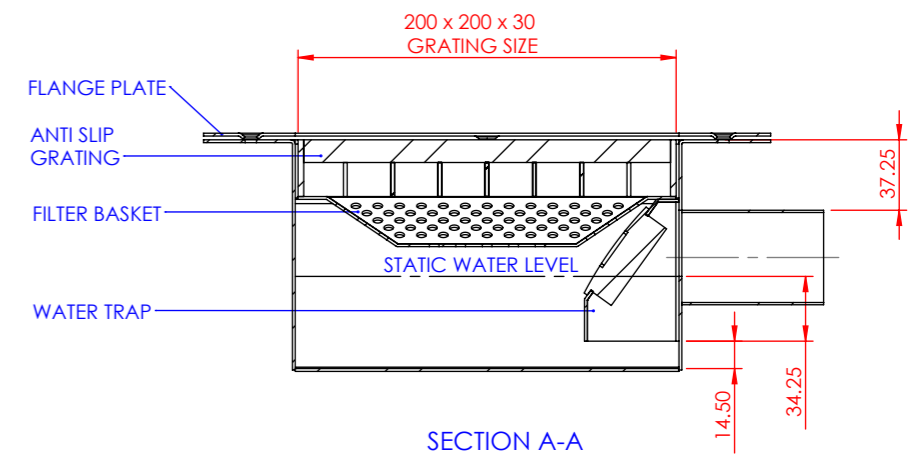
TOP VIEW



FRONT VIEW



SIDE VIEW



SECTION A-A

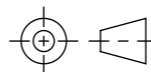


59-62 BRINDLEY ROAD  
ASTMOOR INDUSTRIAL ESTATE  
RUNCORN, CHESHIRE WA7 1PF  
TEL: 01928 563532  
FAX: 01928 580224

THIS DRAWING REMAINS THE PROPERTY OF ALULINE GROUP AND MAY NOT BE COPIED, REPRODUCED, LENT OR DISCLOSED WITHOUT THEIR EXPRESS PERMISSION.

ALULINE GROUP RESERVE THE RIGHT TO MAKE A CHARGE FOR DRAWING/S

PROJECTION



DIMENSIONS IN MILLIMETERS (mm)

DRAWN BY: ctorralba

DATE: 14.07.2010

TITLE:

SHALLOW GULLY 200X200X122.5

DRAWING NO.

GU-1016

SCALE:

1:4 @ A3

REV

?