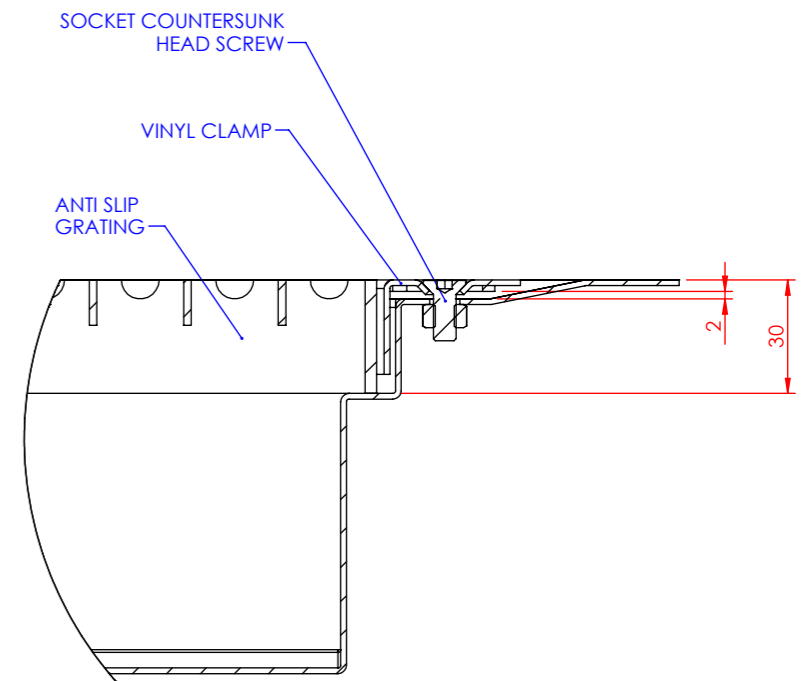
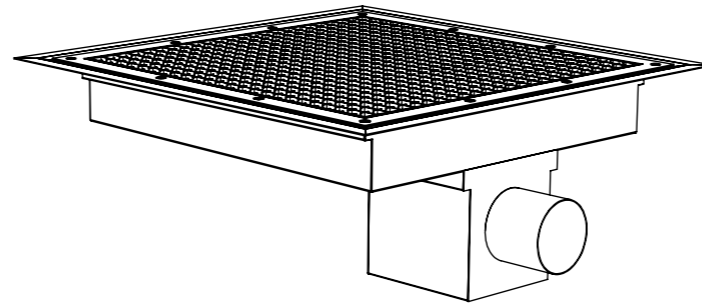
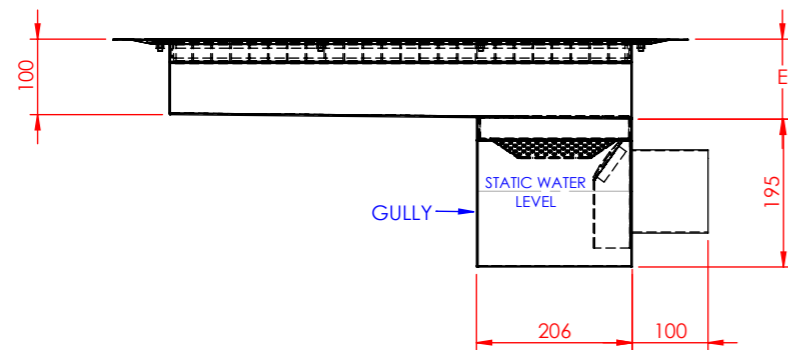


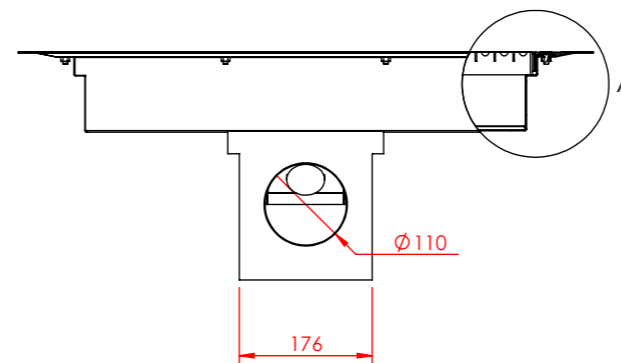
TOP VIEW



DETAIL A
SCALE 1 : 2



FRONT VIEW



SIDE VIEW

DIMENSION (mm)					
CHANNEL	A	B	C	D	E
600x600	600	600	760	760	106
800x400	800	400	960	560	108

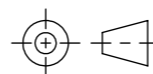


59-62 BRINDLEY ROAD
ASTMOOR INDUSTRIAL ESTATE
RUNCORN, CHESHIRE WA7 1PF
TEL: 01928 563532
FAX: 01928 580224

THIS DRAWING REMAINS THE PROPERTY OF ALULINE GROUP AND MAY NOT BE COPIED, REPRODUCED, LENT OR DISCLOSED WITHOUT THEIR EXPRESS PERMISSION.

ALULINE GROUP RESERVE THE RIGHT TO MAKE A CHARGE FOR DRAWING/S

PROJECTION



DIMENSIONS IN MILLIMETERS (mm)

DRAWN BY: ctorralba

DATE: 09.12.2010

TITLE:

VINYL TYPE CHANNEL/GULLY
(600x600 & 800x400)

DRAWING NO.

GU-1020

SCALE:

1:10 @ A3

REV

?