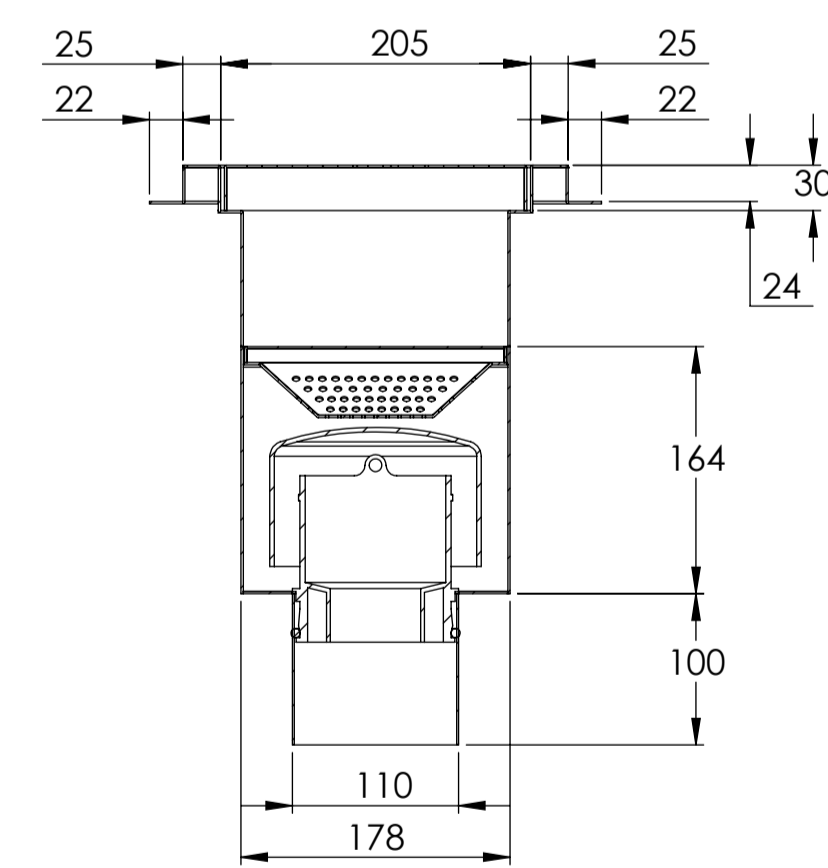
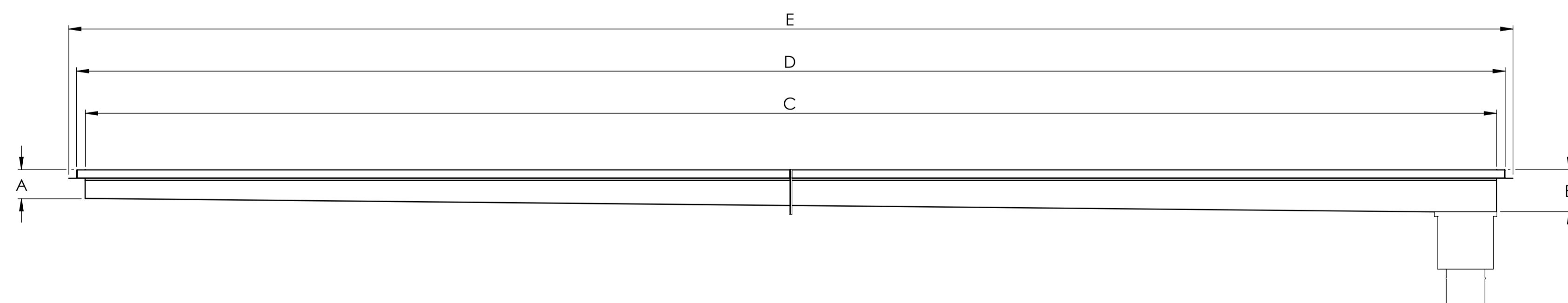
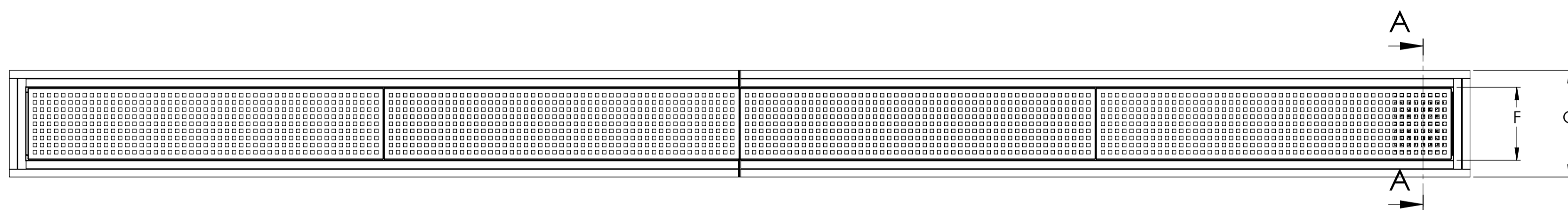
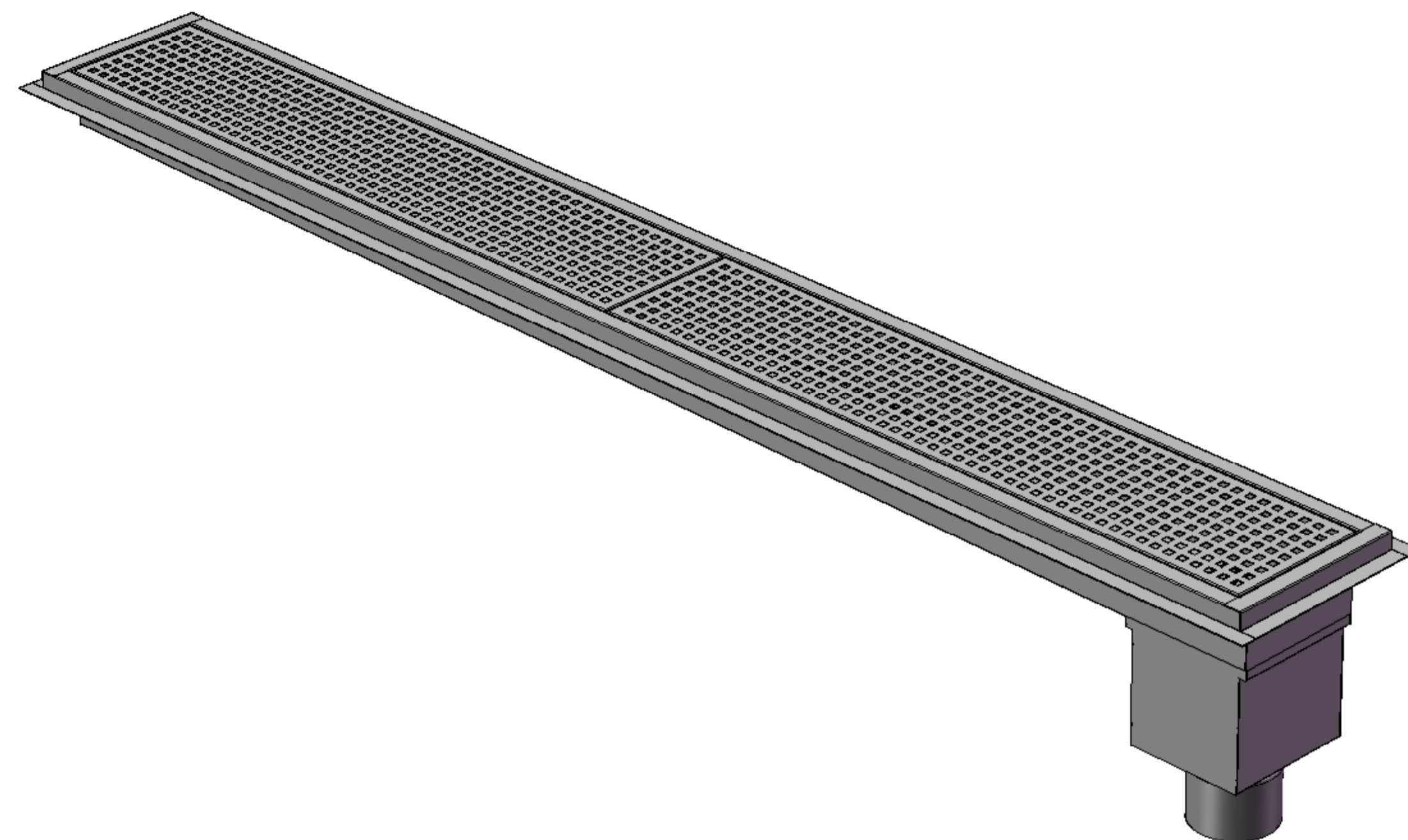



	1000 x 200 ALU1001	2000 x 200 ALU1001	4000 x 200 ALU1001	5000 x 200 ALU1001
A	83	83	83	83
B	90	100	120	130
C	1004	2007	4012	5015
D	1054	2057	4062	5065
E	1098	2101	4106	5109
F	205	205	205	205
G	299	299	299	299



SECTION A-A

REVISION		
REV.	DESCRIPTION	DATE
<small>REPORT ALL ERRORS AND OMISSIONS DIMENSIONS TO BE CHECKED ON SITE UNLESS OTHERWISE SPECIFIED: DIMENSIONS ARE IN MILLIMETERS</small>		
<small>THIS DRAWING REMAINS THE PROPERTY OF OLYMPIC AND MAY NOT BE COPIED, REPRODUCED, LENT OR DISCLOSED WITHOUT THEIR EXPRESS PERMISSION. OLYMPIC RESERVE THE RIGHT TO MAKE A CHARGE FOR DRAWINGS</small>		
TITLE ALU1001 200		
CLIENT		
 <small>1 ALBOROUGH STREET, BLYTH NORTHUMBERLAND NE24 2EU TEL: +44 (0) 1670544322 www.aluline.co.uk</small>		
SCALE	DATE	DRAWN BY
	06/03/2008	ctaralba
DRAWING NO	REV	