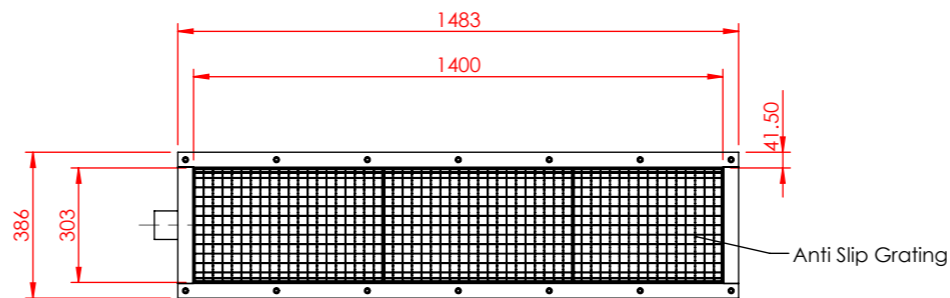
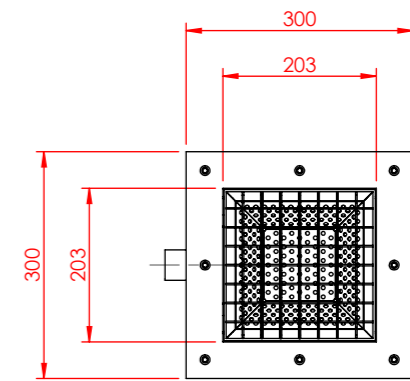


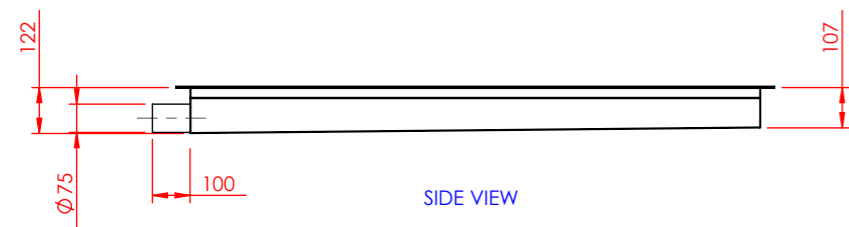
TOP VIEW



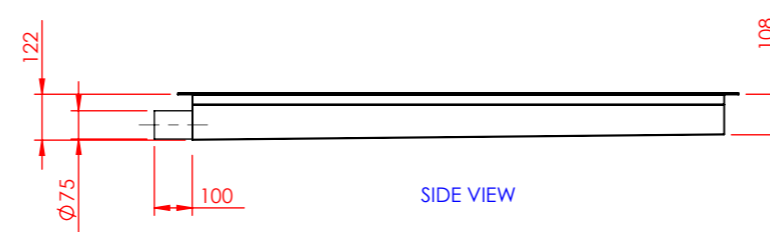
TOP VIEW



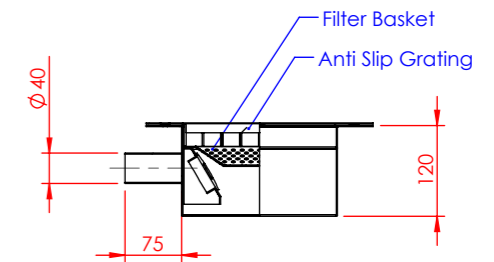
TOP VIEW



SIDE VIEW



SIDE VIEW



SIDE VIEW

Combi Oven Channel
1500 x 200mm
Side outlet Ø75mm

Boiling Pans Channel
1400 x 300mm
Side outlet Ø75mm

General Gully
200 x 200mm
Side outlet Ø40mm

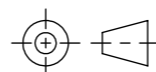


59-62 BRINDLEY ROAD
ASTMOOR INDUSTRIAL ESTATE
RUNCORN, CHESHIRE WA7 1PF
TEL: 01928 563532
FAX: 01928 580224

THIS DRAWING REMAINS THE PROPERTY OF ALULINE GROUP AND MAY NOT BE COPIED, REPRODUCED, LENT OR DISCLOSED WITHOUT THEIR EXPRESS PERMISSION.

ALULINE GROUP RESERVE THE RIGHT TO MAKE A CHARGE FOR DRAWING/S

PROJECTION



DIMENSIONS IN MILLIMETERS (mm)

DRAWN BY: ctorralba

DATE: 30.05.2012

TITLE:

1500x300 & 1400x200 Channel,
200x200 Gully

DRAWING NO.

CH-1037

SCALE:

1:10 @ A3

REV

?