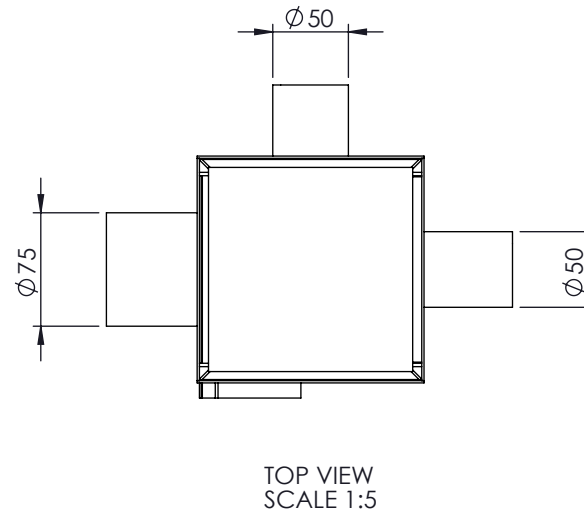


2 INLET 75mm PIPE  
1 OUTLET 75mm PIPE



2 INLET 50mm PIPE  
1 OUTLET 75mm PIPE

FLOW RATE = 0.666LITERS/SEC



Client:

Description:

2Inlet Gully

THIS DRAWING REMAINS THE  
PROPERTY OF OLYMPIC AND  
MAY NOT BE COPIED,  
REPRODUCED, LENT OR  
DISCLOSED WITHOUT THEIR  
EXPRESS PERMISSION

Drawn by: ctorralba  
Date: 12/09/2008

Approved by:  
Date:

UNLESS OTHERWISE SPECIFIED:  
DIMENSIONS ARE IN MILLIMETERS

Rev B  
SHEET 1 OF 1