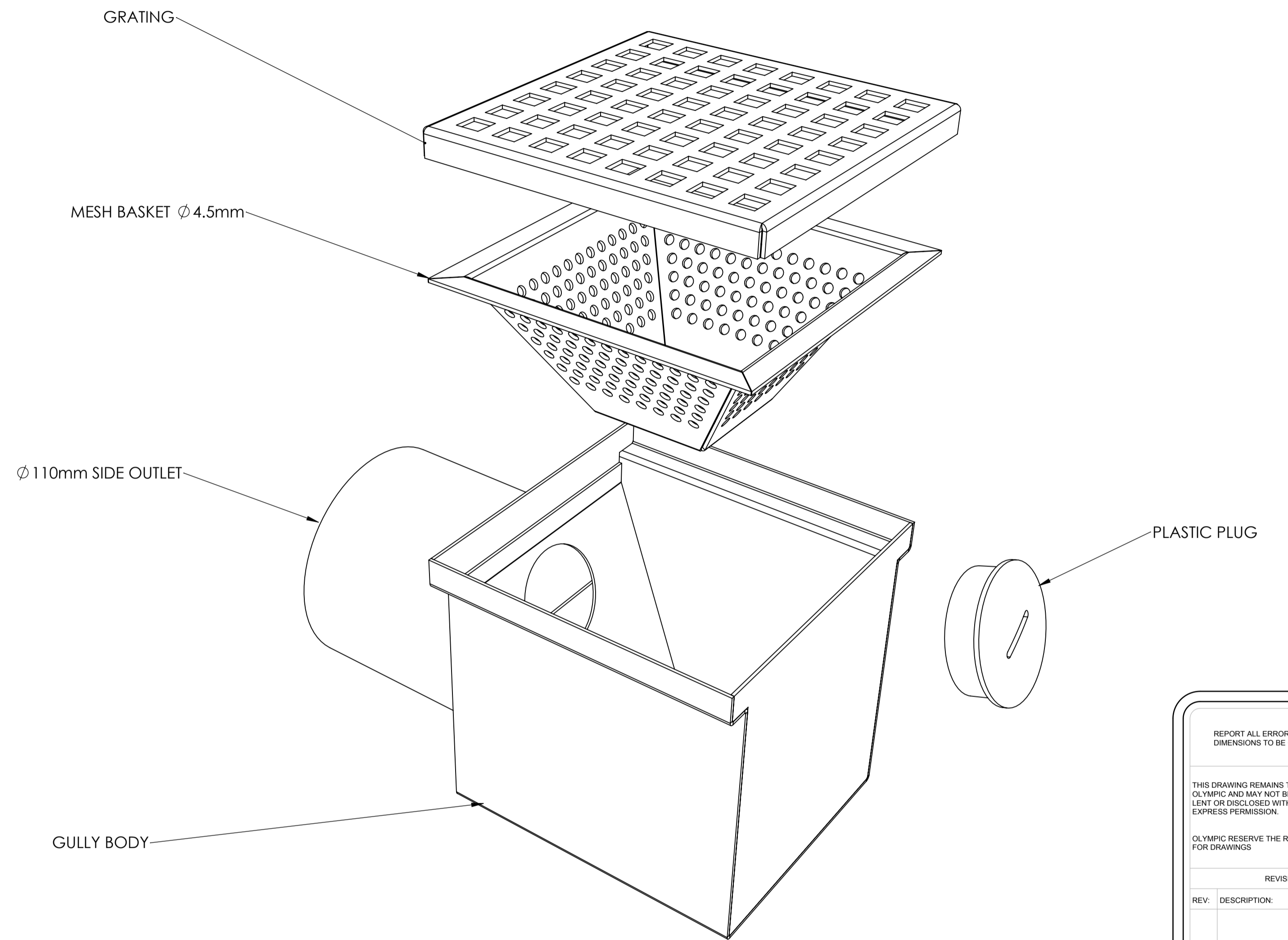
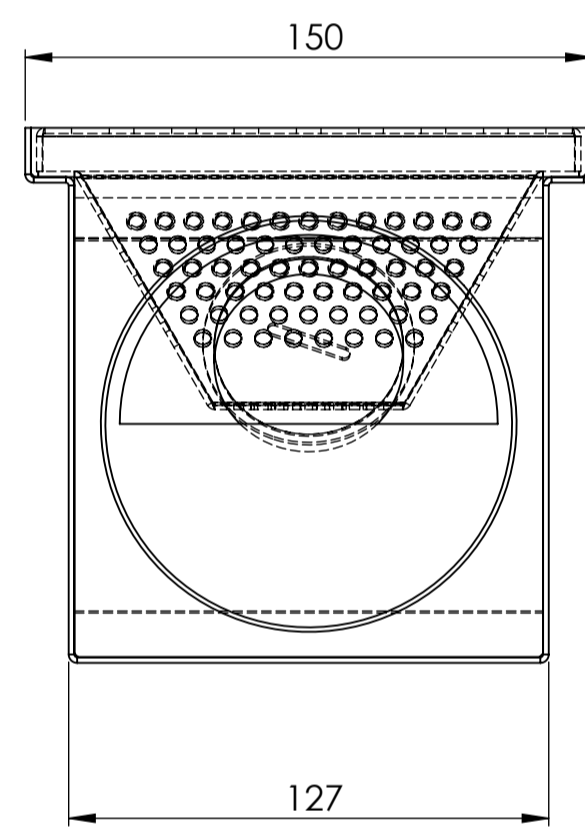


BUCKET GULLY (OPTION1)  
SCALE 1:1 @ A1



BUCKET GULLY

REPORT ALL ERRORS AND OMISSIONS  
DIMENSIONS TO BE CHECKED ON SITE

THIS DRAWING REMAINS THE PROPERTY OF  
OLYMPIC AND MAY NOT BE COPIED, REPRODUCED,  
LENT OR DISCLOSED WITHOUT THEIR  
EXPRESS PERMISSION.

OLYMPIC RESERVE THE RIGHT TO MAKE A CHARGE  
FOR DRAWINGS

REVISIONS		
REV:	DESCRIPTION:	DATE:

APPROVED FOR MANUFACTURE  
SIGNED: \_\_\_\_\_ DATE: \_\_\_\_\_

TITLE  
\_\_\_\_\_  
CLIENT  
\_\_\_\_\_

**Olympic**  
59-62 BRINDLEY ROAD  
ASTMOOR INDUSTRIAL ESTATE  
RUNCORN  
CHESHIRE WA7 1PF

TEL: 01928 563532 FAX: 01928 580224

SCALE	DATE	DRAWN BY
1:1	23/08/2007	ctorrilba

DRAWING NO	REV