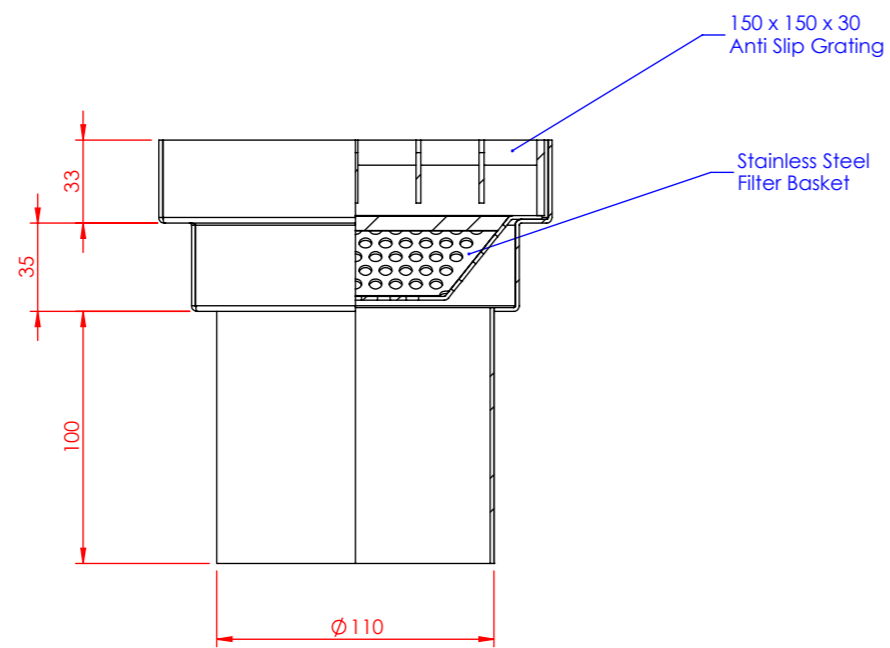
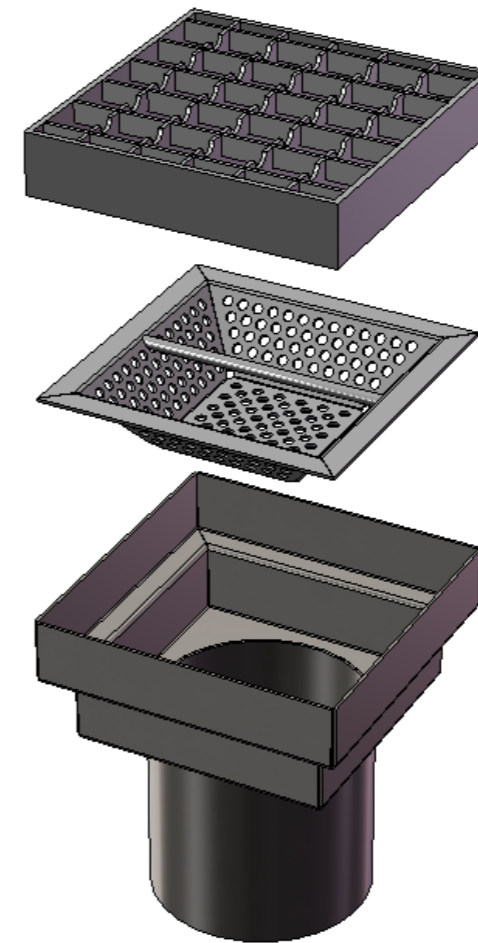


Top View



Front View

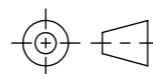


59-62 BRINDLEY ROAD
 ASTMOOR INDUSTRIAL ESTATE
 RUNCORN, CHESHIRE WA7 1PF
 TEL: 01928 563532
 FAX: 01928 580224

THIS DRAWING REMAINS THE PROPERTY OF ALULINE GROUP AND MAY NOT BE COPIED, REPRODUCED, LENT OR DISCLOSED WITHOUT THEIR EXPRESS PERMISSION.

ALULINE GROUP RESERVE THE RIGHT TO MAKE A CHARGE FOR DRAWING/S

PROJECTION



DIMENSIONS IN MILLIMETERS (mm)

DRAWN BY: ctorralba

DATE: 09.08.2011

TITLE:

150x150 floor drain

DRAWING NO.

GU-1024

SCALE:

1:3 @ A3

REV

?