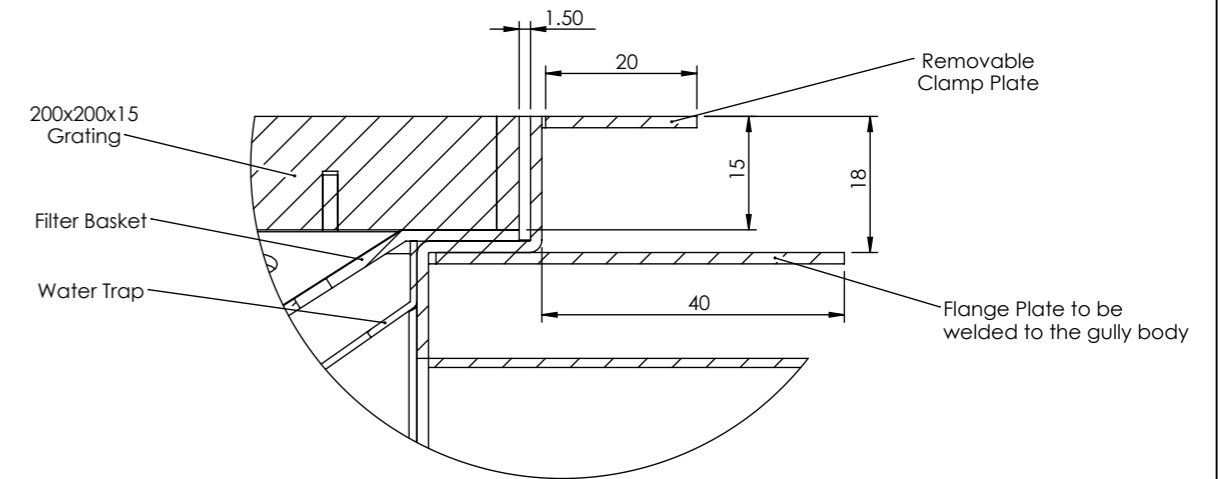
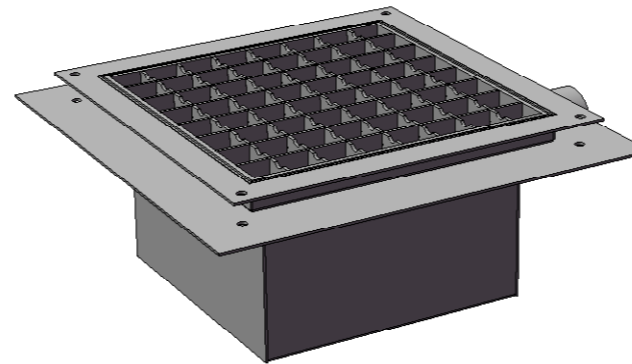
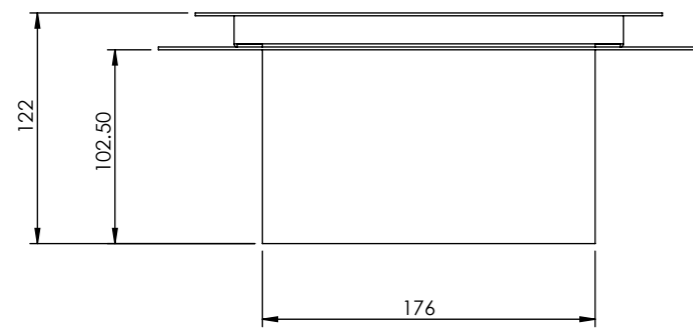


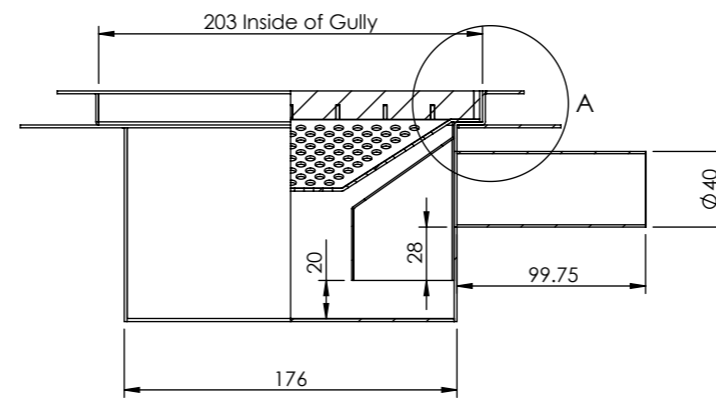
Top View



DETAIL A
SCALE 1 : 1



Front View



Side View

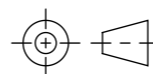


59-62 BRINDLEY ROAD
ASTMOOR INDUSTRIAL ESTATE
RUNCORN, CHESHIRE WA7 1PF
TEL: 01928 563532
FAX: 01928 580224

THIS DRAWING REMAINS THE PROPERTY OF ALULINE GROUP AND MAY NOT BE COPIED, REPRODUCED, LENT OR DISCLOSED WITHOUT THEIR EXPRESS PERMISSION.

ALULINE GROUP RESERVE THE RIGHT TO MAKE A CHARGE FOR DRAWING/S

PROJECTION



DIMENSIONS IN MILLIMETERS (mm)

DRAWN BY: ctorralba

DATE:

TITLE:

PKL Gully 200x200x15 with Flange & Clamp Plate

DRAWING NO.

SCALE:

REV